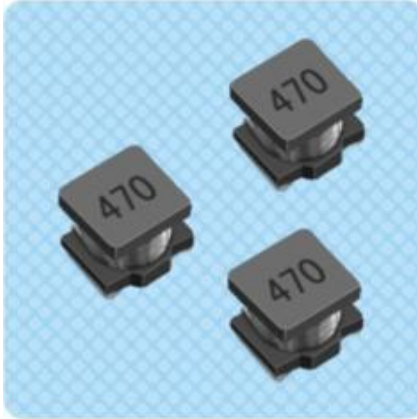


LQH Series Power Inductor



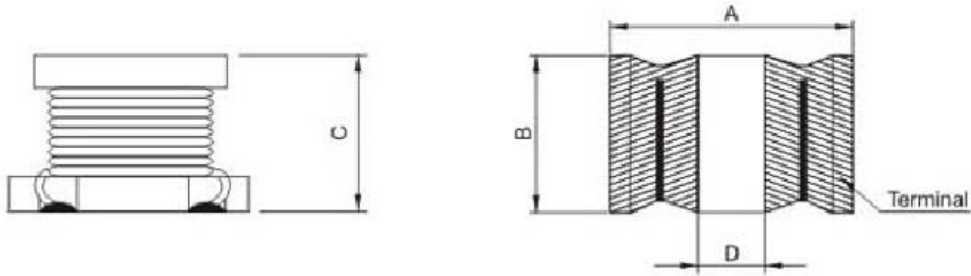
FEATURES

- ROHS, Halogen free and REACH Compliance
- Miniature chip inductors wound on a special ferrite core
- High Q value at high frequencies and low D.C Resistance.
- Various package size and wide inductance range.
- Excellent solder heat resistance.

APPLICATIONS

- Personal, cordless phone.
- High freq, communication products
- GPS
- Personal computers

SHAPE AND DIMENSIONS



Part Number	Dimensions (mm)			
	A	B	C	D
LQH1206	3.2 ± 0.3	1.6 ± 0.3	1.8 ± 0.3	0.7REF
LQH1210	3.2 ± 0.3	2.5 ± 0.3	2.0 ± 0.3	1.0REF
LQH1812	4.5 ± 0.3	3.2 ± 0.3	2.6 ± 0.3	1.0REF
LQH2220	5.7 ± 0.3	5.0 ± 0.3	4.7 ± 0.3	1.7REF

PRODUCT IDENTIFICATION

LQH 1210 — 4R7 M T

① — ② — ③ — ④ — ⑤

- ① Series name
- ② Dimensions D×T
- ③ Inductance: R47-0.47uH 4R7-4.7uH 470-47uH
- ④ Tolerance: K: $\pm 10\%$ M: $\pm 20\%$ N: $\pm 30\%$
- ⑤ Package: B:by bulk T: Tape and Reel

SPECIFICATIONS

● LQH1206 TYPE

Part Number	Inductance (uH)	Tolerance	Test Frequency (KHz/V)	DCR Max(Ω)	Rated Current Max (A)
LQH1206-R15□	0.15	N	100/0.25	0.10	1.00
LQH1206-R22□	0.22			0.11	0.95
LQH1206-R33□	0.33			0.13	0.90
LQH1206-R47□	0.47			0.15	0.85



Specifications subject to change without notice. Please check our website for latest information.

Tel: 0086-769-85016657 Fax: 0086-769-85016658 E-Mail: sales@ZXcompo.com www.zxcompo.com

Part Number	Inductance (uH)	Tolerance	Test Frequency (KHz/V)	DCR Max(Ω)	Rated Current Max (A)
LQH1206-R56□	0.56	M、N	100/0.25	0.16	0.80
LQH1206-R68□	0.68			0.17	0.75
LQH1206-R82□	0.82			0.18	0.65
LQH1206-1R0□	1.0			0.20	0.59
LQH1206-1R5□	1.5			0.28	0.53
LQH1206-1R8□	1.8			0.30	0.45
LQH1206-2R7□	2.7			0.40	0.41
LQH1206-3R3□	3.3			0.42	0.39
LQH1206-3R9□	3.9			0.50	0.36
LQH1206-4R7□	4.7			0.62	0.34
LQH1206-5R6□	5.6			0.75	0.30
LQH1206-6R8□	6.8			0.80	0.27
LQH1206-8R2□	8.2			2.30	0.25
LQH1206-100□	10			2.60	0.20
LQH1206-120□	12			2.8	0.20
LQH1206-150□	15			3.18	0.18
LQH1206-180□	18			3.5	0.17
LQH1206-220□	22			3.60	0.15
LQH1206-270□	27			3.7	0.14
LQH1206-330□	33			3.90	0.13
LQH1206-390□	39			6.10	0.12
LQH1206-470□	47			7.0	0.11
LQH1206-560□	56			8.0	0.10
LQH1206-680□	68			9.0	0.09
LQH1206-820□	82			10.0	0.08
LQH1206-101□	100	12	0.07		

Note: When ordering, please specify tolerance code. Tolerance: M: ±20%、N: ±30%;

1. Operating temperature range -40 -125℃
2. Isat for idncutance drop 30% from its value without current



Specifications subject to change without notice. Please check our website for latest information.

Tel: 0086-769-85016657 Fax: 0086-769-85016658 E-Mail: sales@ZXcompo.com www.zxcompo.com

● LQH1210 TYPE

Part Number	Inductance (uH)	Tolerance	Test Frequency (KHz/V)	DCR Max(Ω)	Rated Current Max (A)
LQH1210-R12□	0.12	N	100/0.25	0.08	1.5
LQH1210-1R0□	1.0			0.5	0.89
LQH1210-1R2□	1.2			0.6	0.84
LQH1210-1R5□	1.5			0.7	0.65
LQH1210-1R8□	1.8			0.85	0.63
LQH1210-2R7□	2.7			0.9	0.58
LQH1210-3R3□	3.3			1.0	0.54
LQH1210-3R9□	3.9			1.1	0.50
LQH1210-4R7□	4.7			1.26	0.47
LQH1210-5R6□	5.6			1.38	0.42
LQH1210-6R8□	6.8	1.5		0.38	
LQH1210-8R2□	8.2	1.6		0.34	
LQH1210-100□	10	M、N		1.8	0.31
LQH1210-120□	12			2.0	0.30
LQH1210-150□	15			2.2	0.28
LQH1210-180□	18			2.5	0.23
LQH1210-220□	22			2.8	0.21
LQH1210-270□	27			3.1	0.19
LQH1210-330□	33			3.5	0.17
LQH1210-390□	39			3.9	0.15
LQH1210-470□	47			4.3	0.14
LQH1210-560□	56			4.9	0.12
LQH1210-680□	68			5.5	0.115
LQH1210-820□	82			6.2	0.11
LQH1210-101□	100			4.0	0.10
LQH1210-121□	120			8.0	0.089
LQH1210-151□	150			9.3	0.079
LQH1210-181□	180			10.2	0.068
LQH1210-221□	220			11.8	0.065
LQH1210-271□	270			12.5	0.055
LQH1210-331□	330		13.0	0.05	



Specifications subject to change without notice. Please check our website for latest information.

Tel: 0086-769-85016657 Fax: 0086-769-85016658 E-Mail: sales@ZXcompo.com www.zxcompo.com

Part Number	Inductance (uH)	Tolerance	Test Frequency (KHz/V)	DCR Max(Ω)	Rated Current Max (A)
LQH1210-391□	390	M、N	100/0.25	22.0	0.048
LQH1210-471□	470			25.0	0.045
LQH1210-561□	560			28.0	0.04

Note: When ordering, please specify tolerance code. Tolerance: M: ±20%、N: ±30%;

1. Operating temperature range -40 -125℃
2. Isat for idncutance drop 30% from its value without current

● LQH1812 TYPE

Part Number	Inductance (uH)	Tolerance	Test Frequency (KHz/V)	DCR Max(Ω)	Rated Current Max (A)
LQH1812-R12□	0.12	N	100/0.25	0.035	4.00
LQH1812-R27□	0.27			0.04	3.80
LQH1812-R47□	0.47			0.05	3.50
LQH1812-1R0□	1.0			0.06	3.20
LQH1812-1R5□	1.5	M、N		0.065	2.8
LQH1812-2R2□	2.2			0.08	2.60
LQH1812-3R3□	3.3			0.115	2.3
LQH1812-4R7□	4.7			0.17	2.00
LQH1812-6R8□	6.8			0.20	1.50
LQH1812-100□	10			0.22	1.20
LQH1812-150□	15			0.45	0.80
LQH18126-220□	22			0.45	0.80
LQH1812-330□	33			0.85	0.60
LQH1812-470□	47			1.20	0.50
LQH1812-680□	68			1.50	0.40
LQH1812-820□	82			1.60	0.35
LQH1812-101□	100			2.20	0.30
LQH1812-151□	150			4.0	0.20
LQH1812-221□	220			4.5	0.18
LQH1812-331□	330			6.00	0.15
LQH1812-471□	470	9.5	0.12		
LQH1812-681□	680	17.00	0.10		
LQH1812-102□	1000	19.00	0.06		
LQH1812-222□	2200	75.00	0.04		



Specifications subject to change without notice. Please check our website for latest information.

Tel: 0086-769-85016657 Fax: 0086-769-85016658 E-Mail: sales@ZXcompo.com www.zxcompo.com

Part Number	Inductance (uH)	Tolerance	Test Frequency (KHz/V)	DCR Max(Ω)	Rated Current Max (A)
LQH1812-472□	4700	M、N	100/0.25	120.00	0.03
LQH1812-502□	5000			130.00	0.02

Note: When ordering, please specify tolerance code. Tolerance: M: $\pm 20\%$ 、N: $\pm 30\%$;

1. Operating temperature range -40 -125°C
2. Isat for idncutance drop 30% from its value without current

● Packaging Specifications

Tape Dimensions

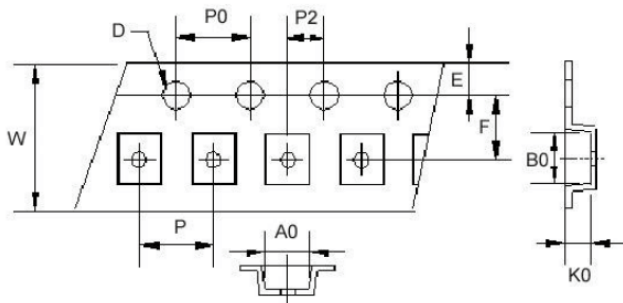


Figure 1

Tape Dimensions

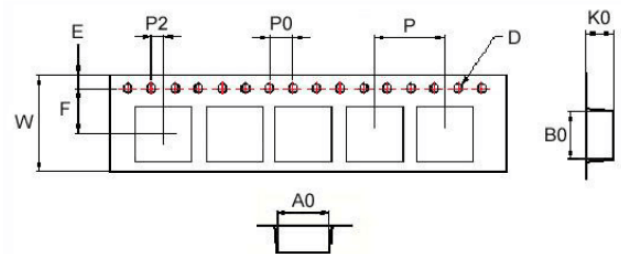


Figure 2

Reel Dimensions

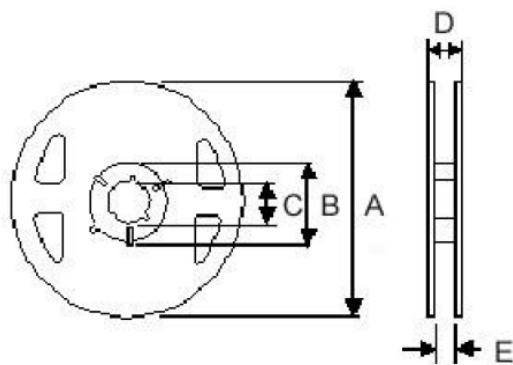


Figure 3

Reel Dimensions

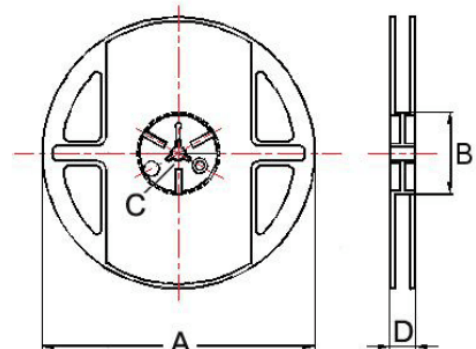


Figure 4