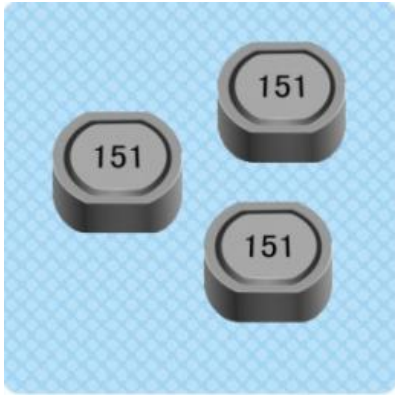


SMR Series Power Inductor



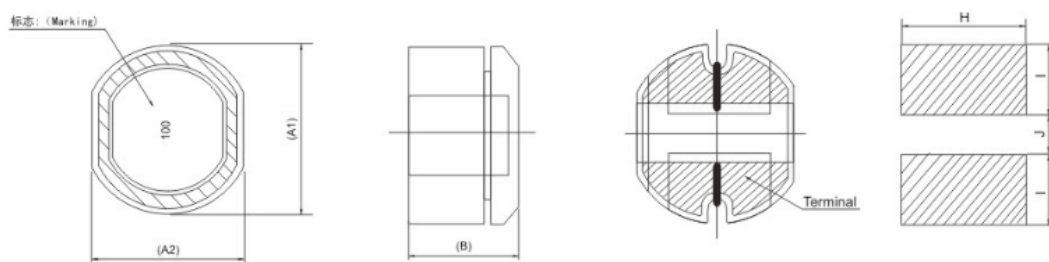
FEATURES

- ROHS, Halogen free and REACH Compliance
- Shielded power inductor
- Various high power inductors are superior to be high saturation for surface mounting
- Packed in embossed carriertape and can be used by automatic mounting machine

APPLICATIONS

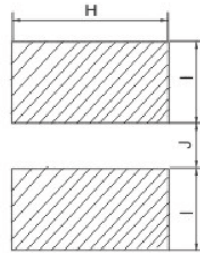
- Video recorders, OA equipment, LCD computer.
- GPS
- Notebook computer, DC - DC converters, etc

SHAPE AND DIMENSIONS



Part Number	Dimensions (mm)					
	A1	A2	B	H	I	J
SMR63B	6.2±0.3	5.6±0.3	3.5MAX	5.5	2.25	1.7
SMR74B	7.8±0.4	7.0±0.4	4.5±0.5	7.5	4.0	2.0
SMR105B	10.0±0.4	9.0±0.4	5.0±0.5	9.5	5.0	2.5

RECOMMENDED PC BOARD PATTERN



Part Number	Dimensions (mm)		
	D	E	F
SMR63B	5.5	2.25	1.7
SMR74B	7.5	4.0	2.0
SMR105B	9.5	5.0	2.5

PRODUCT IDENTIFICATION

SMR 74B – 270 M T

① — ② — ③ — ④ — ⑤

- ① Series name
- ② Dimensions D×T
- ③ Inductance: R47-0.47uH 4R7-4.7uH 470-47uH
- ④ Tolerance: K: ±10% M: ±20% N: ±30%
- ⑤ Package: B:by bulk T: Tape and Reel

SPECIFICATIONS

● SMR63B TYPE

Part Number	Inductance (uH)	Tolerance	Test Frequency (KHz/V)	DCR Max(Ω)	Rated Current Max (mA)
SMR63B-1R0□	1.0	N	100/0.25	0.05	2600
SMR63B-1R5□	1.5			0.06	2400
SMR63B-2R2□	2.2			0.07	2000
SMR63B-3R3□	3.3	M		0.08	1800
SMR63B-4R7□	4.7			0.10	1500
SMR63B-6R8□	6.8			0.11	1200
SMR63B-100□	10			0.14	1000
SMR63B-120□	12			0.16	940
SMR63B-150□	15			0.18	860
SMR63B-180□	18			0.25	780
SMR63B-220□	22			0.32	760
SMR63B-270□	27			0.38	640
SMR63B-330□	33			0.41	610
SMR63B-390□	39			0.47	530
SMR63B-470□	47			0.51	500
SMR63B-560□	56			0.72	460
SMR63B-680□	68			0.82	420

Note: When ordering, please specify tolerance code. Tolerance: M: ±20%、N: ±30%;

1. Operating temperature range -40 -125℃
2. Isat for idncutance drop 30% from its value without current

● SMR74B TYPE

Part Number	Inductance (uH)	Tolerance	Test Frequency (KHz/V)	DCR Max(Ω)	Rated Current Max (mA)
SMR74B-100□	10	M	100/0.25	0.07	1650
SMR74B-120□	12			0.07	1570
SMR74B-150□	15			0.08	139
SMR74B-180□	18			0.10	1290
SMR74B-220□	22			0.13	1120
SMR74B-270□	27			0.16	1060
SMR74B-330□	33			0.18	970
SMR74B-390□	39			0.18	910

Specifications subject to change without notice. Please check our website for latest information.



Tel: 0086-769-85016657 Fax: 0086-769-85016658 E-Mail: sales@ZXcompo.com www.zxcompo.com

Part Number	Inductance (uH)	Tolerance	Test Frequency (KHz/V)	DCR Max(Ω)	Rated Current Max (mA)
SMR74B-47□	47	M	100/0.25	0.27	800
SMR74B-56□	56			0.29	760
SMR74B-68□	68			0.33	660
SMR74B-82□	82			0.43	620
SMR74B-101□	100			0.49	550
SMR74B-121□	120			0.68	490
SMR74B-151□	150			0.94	440
SMR74B-181□	180			1.00	400
SMR74B-221□	220			1.18	360

Note: When ordering, please specify tolerance code. Tolerance: M: $\pm 20\%$ 、N: $\pm 30\%$;

1. Operating temperature range -40 -125°C
2. Isat for idncutance drop 30% from its value without current

● SMR105B TYPE

Part Number	Inductance (uH)	Tolerance	Test Frequency (KHz/V)	DCR Max(Ω)	Rated Current Max (mA)
SMR105B-100□	10	M	100/0.25	0.06	2000
SMR105B-120□	12			0.07	1900
SMR105B-150□	15			0.07	1700
SMR105B-180□	18			0.08	1550
SMR105B-220□	22			0.08	1400
SMR105B-270□	27			0.10	1300
SMR105B-330□	33			0.11	1100
SMR105B-390□	39			0.12	1100
SMR105B-470□	47			0.14	1000
SMR105B-560□	56			0.19	900
SMR105B-680□	68			0.21	850
SMR105B-820□	82			0.28	750
SMR105B-101□	100			0.34	700
SMR105B-121□	120			0.37	600
SMR105B-151□	150			0.51	550
SMR105B-181□	180			0.57	500
SMR105B-221□	220			0.78	450
SMR105B-271□	270			0.87	400



Specifications subject to change without notice. Please check our website for latest information.

Tel: 0086-769-85016657 Fax: 0086-769-85016658 E-Mail: sales@ZXcompo.com www.zxcompo.com

Part Number	Inductance (uH)	Tolerance	Test Frequency (KHz/V)	DCR Max(Ω)	Rated Current Max (mA)
SMR105B-331□	330	M	100/0.25	1.20	350
SMR105B-391□	390			1.34	350
SMR105B-471□	470			1.50	300

Note: When ordering, please specify tolerance code. Tolerance: M: $\pm 20\%$ 、N: $\pm 30\%$;

1. Operating temperature range -40 -125°C
2. Isat for idncutance drop 30% from its value without current

● Packaging Specifications

Tape Dimensions

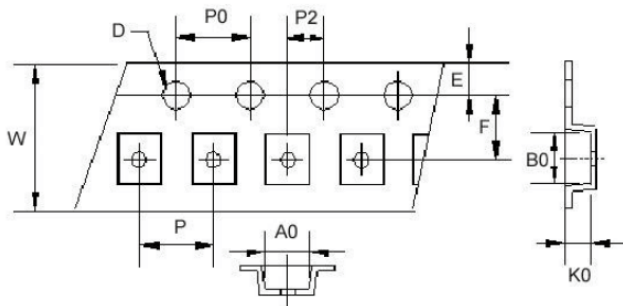


Figure 1

Tape Dimensions

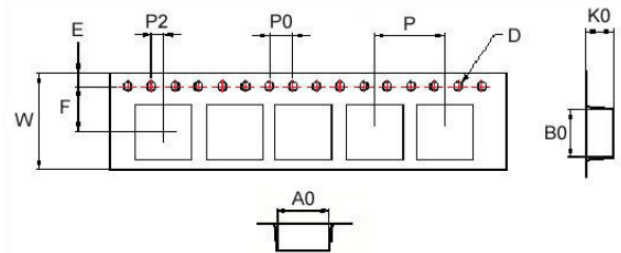


Figure 2

Reel Dimensions

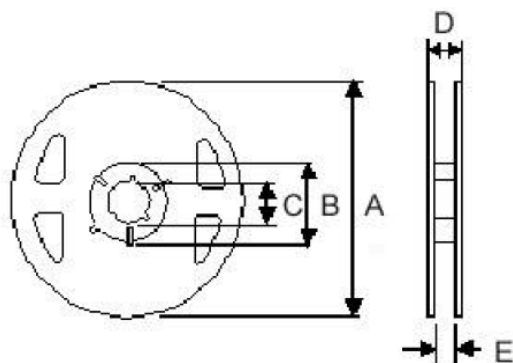


Figure 3

Reel Dimensions

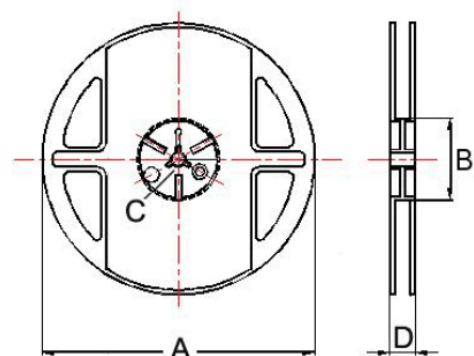


Figure 4