

NR Series Power Inductor



FEATURES

- ROHS and ROEACH compliant
- Metal alloy wire wound powerinductor.
- Constructure Low RDC and high rate current.
- Its rate current could be increased up to 30% compare to ferrite base power inductor.
- Shielded and miniature package design.

APPLICATIONS

- LED lighting.
- Smartphones, tablets and wearable devices
- DSC,Camcorders
- DC/DC converters

SHAPE AND DIMENSIONS

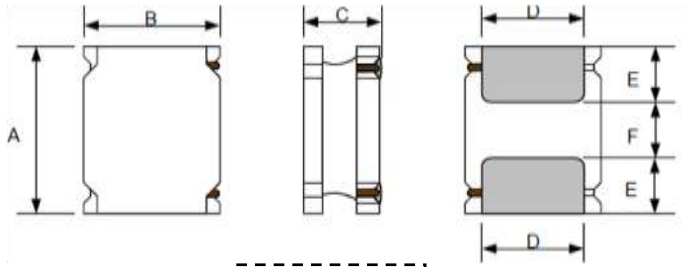


Figure 1

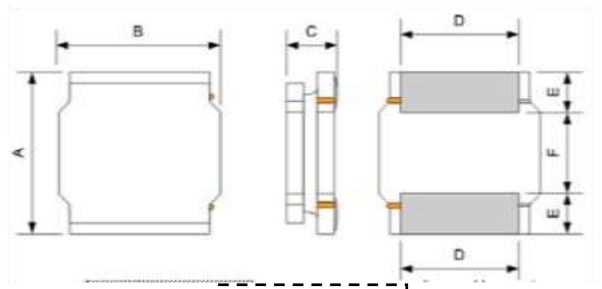


Figure 2

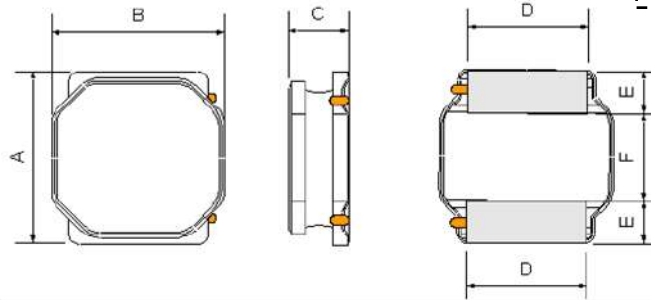


Figure 3

Part Number	Dimensions (mm)									
	A	B	C	D	E	F	H type	I typ	J type	Figure
NR2510	2.5±0.1	2.0±0.1	1.0Max	1.5±0.2	0.80±0.2	0.80±0.2	0.80	0.85	2.0	1
NR2512	2.5±0.1	2.0±0.1	1.2Max	1.5±0.2	0.80±0.2	0.80±0.2	0.80	0.85	2.0	1
NR3010	3.0±0.2	3.0±0.2	1.0max	2.5±0.2	0.75±0.2	1.5±0.2	1.5	0.8	2.7	2
NR3012	3.0±0.2	3.0±0.2	1.2max	2.5±0.2	0.75±0.2	1.5±0.2	1.5	0.8	2.7	2
NR3015	3.0±0.2	3.0±0.2	1.5max	2.5±0.2	0.75±0.2	1.5±0.2	1.5	0.8	2.7	2
NR4010	4.0±0.2	4.0±0.2	1.0max	3.3±0.2	0.95±0.2	2.1±0.2	1.9	1.1	3.7	2
NR4012	4.0±0.2	4.0±0.2	1.2max	3.3±0.2	0.95±0.2	2.1±0.2	1.9	1.1	3.7	2
NR4018	4.0±0.2	4.0±0.2	1.8max	3.3±0.2	0.95±0.2	2.1±0.2	1.9	1.1	3.7	2
NR4020	4.0±0.2	4.0±0.2	2.0max	3.3±0.2	0.95±0.2	2.1±0.2	1.9	1.1	3.7	2
NR4026	4.0±0.2	4.0±0.2	2.6max	3.3±0.2	0.95±0.2	2.1±0.2	1.9	1.1	3.7	2

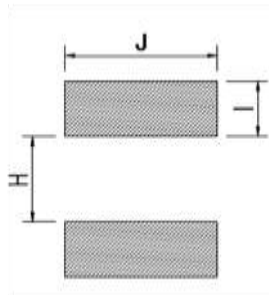


Specifications subject to change without notice. Please check our website for latest information.

Tel: 0086-769-85016697 Fax: 0086-769-85016658 E-Mail: sales@ZXcompo.com www.zxcompo.com

Part Number	Dimensions (mm)									
	A	B	C	D	E	F	H type	I typr	J type	Figure
NR4030	4.0± 0.2	4.0± 0.2	3.0max	3.3± 0.2	0.95± 0.2	2.1± 0.2	1.9	1.1	3.7	2
NR5012	5.0± 0.2	5.0± 0.2	1.2max	4.0± 0.2	1.25± 0.2	2.5± 0.2	2.3	1.4	4.2	3
NR5020	5.0± 0.2	5.0± 0.2	2.0max	4.0± 0.2	1.25± 0.2	2.5± 0.2	2.3	1.4	4.2	3
NR5040	5.0± 0.2	5.0± 0.2	4.0max	4.0± 0.2	1.25± 0.2	2.5± 0.2	2.3	1.4	4.2	3
NR6020	6.0± 0.2	6.0± 0.2	2.0max	4.9± 0.2	1.55± 0.2	2.9± 0.2	2.8	1.7	5.7	2
NR6028	6.0± 0.2	6.0± 0.2	2.8max	4.9± 0.2	1.55± 0.2	2.9± 0.2	2.8	1.7	5.7	2
NR6040	6.0± 0.2	6.0± 0.2	4.0max	4.9± 0.2	1.55± 0.2	2.9± 0.2	2.8	1.7	5.7	2
NR6045	6.0± 0.2	6.0± 0.2	4.5max	4.9± 0.2	1.55± 0.2	2.9± 0.2	2.8	1.7	5.7	2
NR8040	8.0± 0.2	8.0± 0.2	4.2max	6.3± 0.2	2.0± 0.2	4.0± 0.2	3.8	2.2	7.5	2

RECOMMENDED PC BOARD PATTERN



PRODUCT IDENTIFICATION

NR 6045 - 3R3 N



- 1 Series name
- 2 Dimensions D×T
- 3 Inductance: R33-0.33uH 3R3-3.3uH 100-10uH
- 4 Tolerance: J:±5% K: ±10% M: ±20%

SPECIFICATIONS

● NR252010 TYPE

Part Number	Inductance (uH)	Tolerance	L, Q Test condition (MHz/V)	SRF _{min} (MHz)	DCR Max(Ω)	Rated Current Max (mA)
NR252010-R47	0.47	N	100/0.25	0.056	2500	2350
NR252010-R56	0.56	N		0.072	2900	2000
NR252010-R68	0.68	N		0.074	2200	2000
NR252010-1R0	1.0	N		0.108	1850	1650
NR252010-1R5	1.5	M、N		0.182	1800	1300
NR252010-2R2	2.2	M、N		0.209	1200	1200
NR252010-3R3	3.3	M、N		0.328	1050	900
NR252010-4R7	4.7	M、N		0.563	950	700
NR252010-5R6	5.6	M、N		0.563	800	730
NR252010-6R8	6.8	M、N		0.896	780	560
NR252010-100	10	M、N		1.092	650	500

Note: When ordering, please specify tolerance code. Tolerance: M: ±20%、N: ±30%;

1. Operating temperature range -40 -125 °C
2. Isat for inductance drop 30% from its value without current

● NR252012 TYPE

Part Number	Inductance (uH)	Tolerance	L, Q Test condition (MHz/V)	SRF _{min} (MHz)	DCR Max(Ω)	Rated Current Max (mA)
NR252012-R47	0.47	N	100/0.25	0.061	3820	2340
NR252012-R68	0.68	N		0.074	3280	2130
NR252012-1R0	1.0	N		0.090	2590	2100
NR252012-1R2	1.2	M、N		0.129	2380	1590
NR252012-1R5	1.5	M、N		0.147	2240	1530
NR252012-2R2	2.2	M、N		0.216	1850	1250
NR252012-2R7	2.7	M、N		0.239	1720	1190
NR252012-3R3	3.3	M、N		0.264	1610	1130
NR252012-3R6	3.6	M、N		0.348	1460	980
NR252012-4R3	4.3	M、N		0.377	1370	950
NR252012-4R7	4.7	M、N		0.377	1120	920
NR252012-5R1	5.1	M、N		0.500	1230	820



Specifications subject to change without notice. Please check our website for latest information.

Tel: 0086-769-85016697 Fax: 0086-769-85016658 E-Mail: sales@ZXcompo.com www.zxcompo.com

Part Number	Inductance (uH)	Tolerance	L、Q Test condition (MHz/V)	SRF _{min} (MHz)	DCR Max(Ω)	Rated Current Max (mA)
NR252012-5R6	5.6	M、N	100/0.25	0.538	1110	800
NR252012-6R2	6.2			0.542	1030	800
NR252012-6R8	6.8			0.581	980	750
NR252012-7R5	7.5			0.611	970	740
NR252012-8R2	8.2			0.658	980	710
NR252012-9R1	9.1			0.690	910	680
NR252012-100	10			0.690	790	680
NR252012-120	12			1.075	780	560
NR252012-150	15			1.591	68	460
NR252012-220	22			1.976	53	410

Note: When ordering, please specify tolerance code. Tolerance: M: ±20%、N: ±30%;

1. Operating temperature range -40 -125 °C
2. Isat for inductance drop 30% from its value without current

● NR3010 TYPE

Part Number	Inductance (uH)	Tolerance	L、Q Test condition (MHz/V)	SRF _{min} (MHz)	DCR Max(Ω)	Rated Current Max (mA)
NR3010-1R0	1.0	M、N	100/0.25	0.085	1400	1450
NR3010-1R2	1.2			0.085	1250	1450
NR3010-1R5	1.5			0.104	1270	1300
NR3010-2R2	2.2			0.143	1150	1090
NR3010-2R7	2.7			0.169	1000	1020
NR3010-3R3	3.3			0.189	970	960
NR3010-3R6	3.6			0.215	950	900
NR3010-4R7	4.7			0.293	750	770
NR3010-5R6	5.6			0.322	580	700
NR3010-6R8	6.8			0.397	550	660
NR3010-8R2	8.2			0.520	550	580
NR3010-100	10			0.520	550	580
NR3010-120	12			0.657	430	520
NR3010-150	15			0.793	420	470
NR3010-220	22			1.209	350	380
NR3010-270	27			1.404	300	350



Specifications subject to change without notice. Please check our website for latest information.

Tel: 0086-769-85016697 Fax: 0086-769-85016658 E-Mail: sales@ZXcompo.com www.zxcompo.com

Part Number	Inductance (uH)	Tolerance	L, Q Test condition (MHz/V)	SRF _{min} (MHz)	DCR Max(Ω)	Rated Current Max (mA)
NR3010-330	33	M、N	100/0.25	2.015	290	300
NR3010-390	39			2.275	280	280
NR3010-430	43			2.340	230	270
NR3010-470	47			2.535	220	260
NR3010-510	51			2.860	210	250
NR3010-560	56			3.106	210	240

Note: When ordering, please specify tolerance code. Tolerance: M: ±20%、N: ±30%;

1. Operating temperature range -40 -125 °C
2. Isat for idncutance drop 30% from its value without current

● NR3012 TYPE

Part Number	Inductance (uH)	Tolerance	L, Q Test condition (MHz/V)	SRF _{min} (MHz)	DCR Max(Ω)	Rated Current Max (mA)
NR3012-R22	0.22	N	100/0.25	0.022	5300	3000
NR3012-R82	0.82			0.039	2050	2470
NR3012-1R0	1.0			0.052	1870	2200
NR3012-1R2	1.2			0.059	2220	2010
NR3012-1R5	1.5			0.059	1620	2010
NR3012-1R8	1.8			0.082	1300	1650
NR3012-2R2	2.2			0.098	1200	1550
NR3012-2R4	2.4			0.088	1150	1600
NR3012-2R7	2.7			0.110	1140	1480
NR3012-3R3	3.3	M、N		0.130	1050	1360
NR3012-3R6	3.6			0.130	1050	1360
NR3012-3R9	3.9			0.189	1000	1240
NR3012-4R7	4.7			0.156	900	1240
NR3012-5R6	5.6			0.226	800	1130
NR3012-6R8	6.8			0.247	750	980
NR3012-100	10			0.345	600	830
NR3012-120	12			0.449	480	730
NR3012-150	15			0.468	450	710
NR3012-180	18		0.709	430	580	
NR3012-220	22		0.839	420	530	



Specifications subject to change without notice. Please check our website for latest information.

Tel: 0086-769-85016697 Fax: 0086-769-85016658 E-Mail: sales@ZXcompo.com www.zxcompo.com

Part Number	Inductance (uH)	Tolerance	L, Q Test condition (MHz/V)	SRF _{min} (MHz)	DCR Max(Ω)	Rated Current Max (mA)
NR3012-270	27	M、N	100/0.25	1.131	350	470
NR3012-330	33			1.138	360	460
NR3012-330	36			1.235	340	440
NR3012-390	39			1.729	300	370
NR3012-470	47			1.885	270	350
NR3012-560	56			1.794	260	280
NR3012-680	68			2.171	240	330
NR3012-820	82			3.302	170	270
NR3012-101	100			3.718	210	250

Note: When ordering, please specify tolerance code. Tolerance: M: ±20%、N: ±30%;

1. Operating temperature range -40 -125 °C
2. Isat for idncutance drop 30% from its value without current

● NR3015 TYPE

Part Number	Inductance (uH)	Tolerance	L, Q Test condition (MHz/V)	SRF _{min} (MHz)	DCR Max(Ω)	Rated Current Max (mA)
NR3015-R50	0.50	N	100/0.25	0.039	3900	2600
NR3015-1R0	1.0			0.039	2320	2350
NR3015-1R2	1.2			0.052	2210	1950
NR3015-1R5	1.5			0.065	2300	1700
NR3015-1R8	1.8			0.065	1750	1700
NR3015-2R2	2.2			0.078	1600	1600
NR3015-2R7	2.7			0.098	1520	1460
NR3015-3R3	3.3	M、N		0.104	1320	1360
NR3015-3R6	3.6			0.137	1280	1200
NR3015-3R9	3.9			0.137	1200	1200
NR3015-4R3	4.3			0.150	1200	1140
NR3015-4R7	4.7			0.163	1100	1090
NR3015-5R1	5.1			0.173	1000	1050
NR3015-6R2	6.2			0.254	1000	860
NR3015-6R8	6.8		0.260	850	850	
NR3015-100	10		0.325	720	770	
NR3015-120	12		0.416	700	680	



Specifications subject to change without notice. Please check our website for latest information.

Tel: 0086-769-85016697 Fax: 0086-769-85016658 E-Mail: sales@ZXcompo.com www.zxcompo.com

Part Number	Inductance (uH)	Tolerance	L, Q Test condition (MHz/V)	SRF _{min} (MHz)	DCR Max(Ω)	Rated Current Max (mA)
NR3015-150	15	M、N	100/0.25	0.455	660	650
NR3015-180	18			0.559	560	590
NR3015-220	22			0.589	520	570
NR3015-270	27			0.949	480	450
NR3015-330	33			1.066	440	430
NR3015-390	39			1.294	410	390
NR3015-430	43			1.378	370	370
NR3015-470	47			1.625	350	350
NR3015-560	56			1.664	330	340
NR3015-620	62			2.093	300	300
NR3015-680	68			3.510	280	230
NR3015-101	100			4.043	230	210
NR3015-151	150			4.940	180	190

Note: When ordering, please specify tolerance code. Tolerance: M: ±20%、N: ±30%;

1. Operating temperature range -40 -125℃
2. Isat for idncutance drop 30% from its value without current

● NR4010 TYPE

Part Number	Inductance (uH)	Tolerance	L, Q Test condition (MHz/V)	SRF _{min} (MHz)	DCR Max(Ω)	Rated Current Max (mA)
NR4010-1R0	1.0	N	100/0.25	0.067	2000	1900
NR4010-1R5	1.5	N	100/0.25	0.084	1680	1700
NR4010-2R2	2.2	M、N	100/0.25	0.102	1200	1500
NR4010-3R3	3.3	M、N	100/0.25	0.120	1100	1400
NR4010-4R7	4.7	M、N	100/0.25	0.168	950	1200
NR4010-6R8	6.8	M、N	100/0.25	0.240	800	1000
NR4010-100	10	M、N	100/0.25	0.360	620	750
NR4010-150	15	M、N	100/0.25	0.516	540	600
NR4010-220	22	M、N	100/0.25	0.684	450	500

Note: When ordering, please specify tolerance code. Tolerance: M: ±20%、N: ±30%;

1. Operating temperature range -40 -125℃
2. Isat for idncutance drop 30% from its value without current



Specifications subject to change without notice. Please check our website for latest information.

Tel: 0086-769-85016697 Fax: 0086-769-85016658 E-Mail: sales@ZXcompo.com www.zxcompo.com

● NR4012 TYPE

Part Number	Inductance (uH)	Tolerance	L、Q Test condition (MHz/V)	SRF _{min} (MHz)	DCR Max(Ω)	Rated Current Max (mA)
NR4012-R82	0.82	N	100/0.25	0.065	3020	1650
NR4012-1R0	1.0			0.065	2610	1650
NR4012-1R5	1.5			0.085	2100	1460
NR4012-1R8	1.8			0.104	2120	1320
NR4012-2R2	2.2			0.104	1760	1320
NR4012-2R7	2.7			0.117	1900	1250
NR4012-3R3	3.3			0.143	1720	1120
NR4012-3R6	3.6			0.143	1200	1120
NR4012-4R3	4.3			0.182	1580	1000
NR4012-4R7	4.7			0.163	1150	1050
NR4012-5R1	5.1			0.201	1550	950
NR4012-5R6	5.6			0.182	1000	1000
NR4012-6R8	6.8			M、N	0.257	850
NR4012-100	10	0.345			800	770
NR4012-120	12	0.377			660	700
NR4012-150	15	0.442			560	640
NR4012-270	27	0.936			500	450
NR4012-330	33	1.053			420	420
NR4012-360	36	1.170			400	400
NR4012-390	39	1.430			550	370
NR4012-470	47	1.430			350	370
NR4012-560	56	1.625			330	330
NR4012-680	68	2.535		380	270	
NR4012-820	82	2.782	280	260		
NR4012-101	100	2.783	250	250		

Note: When ordering, please specify tolerance code. Tolerance: M: ±20%、N: ±30%;

1. Operating temperature range -40 -125 °C
2. Isat for inductance drop 30% from its value without current



Specifications subject to change without notice. Please check our website for latest information.

Tel: 0086-769-85016697 Fax: 0086-769-85016658 E-Mail: sales@ZXcompo.com www.zxcompo.com

● NR4018 TYPE

Part Number	Inductance (uH)	Tolerance	L、Q Test condition (MHz/V)	SRF _{min} (MHz)	DCR Max(Ω)	Rated Current Max (mA)
NR4018-R47	0.47	N	100/0.25	0.018	4300	4000
NR4018-R68	0.68			0.026	4900	3300
NR4018-1R0	1.0			0.033	4800	2000
NR4018-1R5	1.5			0.039	3350	1800
NR4018-1R8	1.8			0.044	3000	2000
NR4018-2R2	2.2	M、N		0.059	2700	1650
NR4018-3R3	3.3			0.091	2450	1230
NR4018-4R7	4.7			0.117	1700	1200
NR4018-6R8	6.8			0.143	1450	1060
NR4018-100	10			0.234	1300	840
NR4018-150	15			0.325	940	650
NR4018-220	22			0.468	800	590
NR4018-270	27			0.611	470	520
NR4018-330	33			0.689	560	490
NR4018-470	47			0.845	570	420
NR4018-680	68			1.300	470	320
NR4018-101	100			2.275	400	250
NR4018-151	150			3.250	310	220
NR4018-221	220			5.200	270	170

Note: When ordering, please specify tolerance code. Tolerance: M: ±20%、N: ±30%;

1. Operating temperature range -40 -125℃
2. Isat for inductance drop 30% from its value without current

● NR4020 TYPE

Part Number	Inductance (uH)	Tolerance	L、Q Test condition (MHz/V)	SRF _{min} (MHz)	DCR Max(Ω)	Rated Current Max (mA)
NR4020-R24	0.24	N	100/0.25	0.014	10500	4500
NR4020-R33	0.33			0.016	7500	3300
NR4020-R47	0.47			0.029	7000	3300
NR4020-R68	0.68			0.036	6400	2800



Specifications subject to change without notice. Please check our website for latest information.

Tel: 0086-769-85016697 Fax: 0086-769-85016658 E-Mail: sales@ZXcompo.com www.zxcompo.com

Part Number	Inductance (uH)	Tolerance	L, Q Test condition (MHz/V)	SRF _{min} (MHz)	DCR Max(Ω)	Rated Current Max (mA)
NR4020-1R0	1.0	N	100/0.25	0.038	4780	2150
NR4020-1R2	1.2			0.038	5100	1080
NR4020-1R5	1.5			0.046	4450	1980
NR4020-2R2	2.2			0.052	3400	1850
NR4020-3R3	3.3	M、N		0.091	3200	1400
NR4020-3R6	3.6			0.072	2800	1540
NR4020-4R7	4.7			0.098	2350	1340
NR4020-5R1	5.1			0.111	2300	1270
NR4020-5R6	5.6			0.117	2200	1220
NR4020-6R2	6.2			0.150	2150	1080
NR4020-6R8	6.8			0.163	2200	1040
NR4020-7R5	7.5			0.150	1850	1080
NR4020-8R2	8.2			0.163	1750	1040
NR4020-100	10			0.215	1600	900
NR4020-120	12			0.228	1500	880
NR4020-220	22			0.455	1050	620
NR4020-270	27			0.709	1020	500
NR4020-330	33			0.715	850	490
NR4020-390	39	0.845		820	460	
NR4020-430	43	0.858		770	450	
NR4020-470	47	0.923		740	440	
NR4020-510	51	0.975		700	420	
NR4020-560	56	1.040		660	410	
NR4020-620	62	1.170		650	390	
NR4020-680	68	1.380		610	360	
NR4020-750	75	1.510		700	350	
NR4020-820	82	1.520		500	340	
NR4020-101	100	2.020		480	310	

Note: When ordering, please specify tolerance code. Tolerance: M: ±20%、N: ±30%;

1. Operating temperature range -40 -125 °C
2. Isat for idncutance drop 30% from its value without current



Specifications subject to change without notice. Please check our website for latest information.

Tel: 0086-769-85016697 Fax: 0086-769-85016658 E-Mail: sales@ZXcompo.com www.zxcompo.com

● NR4026 TYPE

Part Number	Inductance (uH)	Tolerance	L, Q Test condition (MHz/V)	SRF _{min} (MHz)	DCR Max(Ω)	Rated Current Max (mA)
NR4026-1R0	1.0	N	100/0.25	0.031	3300	3000
NR4026-1R2	1.2			0.039	3100	2300
NR4026-1R5	1.5			0.039	2400	2300
NR4026-2R2	2.2	M、N		0.052	2100	200
NR4026-3R3	3.3			0.065	1800	1700
NR4026-4R7	4.7			0.072	1450	1600
NR4026-6R8	6.8			0.085	1300	1500
NR4026-100	10			0.110	1000	1300
NR4026-150	15			0.143	900	1100
NR4026-220	22			0.214	600	900
NR4026-330	33			0.351	550	700
NR4026-470	47			0.390	400	650

Note: When ordering, please specify tolerance code. Tolerance: M: ±20%、N: ±30%;

1. Operating temperature range -40 -125 °C
2. Isat for idncutance drop 30% from its value without current

● NR4030 TYPE

Part Number	Inductance (uH)	Tolerance	L, Q Test condition (MHz/V)	SRF _{min} (MHz)	DCR Max(Ω)	Rated Current Max (mA)
NR4030-R68	0.68	N	100/0.25	0.013	6800	4560
NR4030-R91	0.91			0.017	6250	4150
NR4030-1R0	1.0			0.018	5260	4150
NR4030-1R2	1.2			0.020	5800	3820
NR4030-1R5	1.5			0.026	4840	3340
NR4030-1R8	1.8			0.033	5400	3200
NR4030-2R2	2.2			0.039	4900	2950
NR4030-3R3	3.3	M、N		0.052	3300	2400
NR4030-3R6	3.6			0.052	3000	2400
NR4030-3R9	3.9			0.074	3000	2100
NR4030-4R3	4.3			0.072	2950	2100
NR4030-4R7	4.7			0.078	2900	2000
NR4030-5R6	5.6			0.085	2600	1950



Specifications subject to change without notice. Please check our website for latest information.

Tel: 0086-769-85016697 Fax: 0086-769-85016658 E-Mail: sales@ZXcompo.com www.zxcompo.com

Part Number	Inductance (uH)	Tolerance	L, Q Test condition (MHz/V)	SRF _{min} (MHz)	DCR Max(Ω)	Rated Current Max (mA)
NR4030-6R8	6.8	M, N	100/0.25	0.117	2750	1600
NR4030-7R5	7.5			0.110	2200	1650
NR4030-8R2	8.2			0.117	2100	1600
NR4030-100	10			0.130	1950	1500
NR4030-120	12			0.175	1700	1300
NR4030-150	15			0.247	1650	1110
NR4030-180	18			0.260	1400	1100
NR4030-220	22			0.292	1300	1000
NR4030-270	27			0.338	1150	900
NR4030-330	33			0.429	1100	840
NR4030-360	36			0.436	1050	830
NR4030-390	39			0.566	1030	730
NR4030-470	47			0.579	950	720
NR4030-510	51			0.611	900	700
NR4030-560	56			0.722	850	650
NR4030-620	62			0.761	800	630
NR4030-680	68			1.128	720	520
NR4030-750	75			1.326	700	480
NR4030-820	82			1.378	660	470
NR4030-910	91			1.430	650	460
NR4030-101	100			1.495	600	450
NR4030-121	120			1.755	550	420
NR4030-151	150			2.340	500	300
NR4030-221	220			3.250	400	350
NR4030-331	330			5.200	300	250
NR4030-471	470			9.360	300	200
NR4030-501	500			9.027	280	150
NR4030-681	680			9.854	190	140

Note: When ordering, please specify tolerance code. Tolerance: M: ±20%、N: ±30%;

1. Operating temperature range -40 -125 °C
2. Isat for idncutance drop 30% from its value without current



Specifications subject to change without notice. Please check our website for latest information.

Tel: 0086-769-85016697 Fax: 0086-769-85016658 E-Mail: sales@ZXcompo.com www.zxcompo.com

● NR5012 TYPE

Part Number	Inductance (uH)	Tolerance	L、Q Test condition (MHz/V)	SRF _{min} (MHz)	DCR Max(Ω)	Rated Current Max (mA)
NR5012-R22□	0.22	N	100/0.25	0.034	8100	3000
NR5012-1R0□	1.0			0.068	4400	2000
NR5012-1R5□	1.5			0.086	3700	1900
NR5012-2R2□	2.2			0.108	3100	1700
NR5012-3R3□	3.3			0.151	2400	1400
NR5012-4R7□	4.7			0.197	2200	1300
NR5012-6R8□	6.8	M、N		0.294	1700	1000
NR5012-100□	10			0.413	1400	850
NR5012-150□	15			0.523	1200	800
NR5012-220□	22			0.858	880	600

Note: When ordering, please specify tolerance code. Tolerance: M: ±20%、N: ±30%;

1. Operating temperature range -40 -125 °C
2. Isat for idncutance drop 30% from its value without current

● NR5020 TYPE

Part Number	Inductance (uH)	Tolerance	L、Q Test condition (MHz/V)	SRF _{min} (MHz)	DCR Max(Ω)	Rated Current Max (mA)
NR5020-R22	0.22	N	100/0.25	0.011	9000	5300
NR5020-R24	0.24			0.011	8000	5300
NR5020-R47	0.47			0.017	6150	4600
NR5020-R56	0.56			0.022	8500	3800
NR5020-R68	0.68			0.022	5500	4000
NR5020-R75	0.75			0.022	5500	4000
NR5020-1R0	1.0			0.026	4100	3800
NR5020-1R2	1.2			0.029	4500	3550
NR5020-1R5	1.5			0.034	4100	3200
NR5020-2R2	2.2			0.042	3200	2900
NR5020-2R7	2.7			0.049	2900	2700
NR5020-3R0	3.0			0.049	2550	2700
NR5020-3R3	3.3			0.056	2550	2500
NR5020-3R6	3.6			0.056	2800	2500



Specifications subject to change without notice. Please check our website for latest information.

Tel: 0086-769-85016697 Fax: 0086-769-85016658 E-Mail: sales@ZXcompo.com www.zxcompo.com

Part Number	Inductance (uH)	Tolerance	L、Q Test condition (MHz/V)	SRF _{min} (MHz)	DCR Max(Ω)	Rated Current Max (mA)
NR5020-3R9	3.9	N	100/0.25	0.056	2300	2500
NR5020-4R3	4.3	M、N		0.074	2500	2200
NR5020-4R7	4.7			0.074	2500	2200
NR5020-5R1	5.1			0.083	2250	2050
NR5020-5R6	5.6			0.083	2300	2050
NR5020-6R8	6.8			0.108	2050	1800
NR5020-7R5	7.5			0.117	1850	1750
NR5020-8R2	8.2			0.127	1850	1650
NR5020-9R1	9.1			0.143	1700	1550
NR5020-100	10			0.143	1700	1550
NR5020-120	12			0.182	1500	1400
NR5020-150	15			0.215	1350	1250
NR5020-180	18			0.260	1250	1150
NR5020-220	22			0.294	1150	1100
NR5020-330	33			0.507	920	900
NR5020-470	47			0.680	770	770
NR5020-560	56			0.819	770	700
NR5020-680	68			0.962	650	640
NR5020-820	82			1.158	650	500
NR5020-101	100			1.430	530	530
NR5020-121	120	1.755	420	400		
NR5020-201	200	2.600	300	400		

Note: When ordering, please specify tolerance code. Tolerance: M: ±20%、N: ±30%;

1. Operating temperature range -40 -125 °C
2. Isat for inductance drop 30% from its value without current

● NR5040 TYPE

Part Number	Inductance (uH)	Tolerance	L、Q Test condition (MHz/V)	SRF _{min} (MHz)	DCR Max(Ω)	Rated Current Max (mA)
NR5040-1R0	1.0	N	100/0.25	0.016	7350	4900
NR5040-1R2	1.2			0.021	6500	4150
NR5040-1R5	1.5			0.020	6300	4300



Specifications subject to change without notice. Please check our website for latest information.

Tel: 0086-769-85016697 Fax: 0086-769-85016658 E-Mail: sales@ZXcompo.com www.zxcompo.com

Part Number	Inductance (uH)	Tolerance	L, Q Test condition (MHz/V)	SRF _{min} (MHz)	DCR Max(Ω)	Rated Current Max (mA)
NR5040-1R8	1.8	N	100/0.25	0.021	5500	4150
NR5040-2R2	2.2			0.025	4900	3800
NR5040-2R7	2.7			0.029	4300	3600
NR5040-3R0	3.0			0.029	4150	3600
NR5040-3R3	3.3			0.031	3950	3400
NR5040-3R6	3.6			0.034	3800	3300
NR5040-3R9	3.9			0.035	3550	3200
NR5040-4R7	4.7			0.039	3500	3000
NR5040-5R6	5.6			M, N	0.046	3000
NR5040-6R8	6.8	0.056			2900	2500
NR5040-8R2	8.2	0.062			2700	2300
NR5040-100	10	0.083			2350	2100
NR5040-150	15	0.112			2000	2000
NR5040-220	22	0.168			1600	1500
NR5040-330	33	0.244			1300	1200
NR5040-470	47	0.354			1100	1000
NR5040-680	68	0.520			900	800
NR5040-101	100	0.728			750	700
NR5040-151	150	0.975			650	600
NR5040-102	1000	7.800		210	200	

Note: When ordering, please specify tolerance code. Tolerance: M: ±20%、N: ±30%;

1. Operating temperature range -40 -125 °C
2. Isat for idncutance drop 30% from its value without current

● NR6020 TYPE

Part Number	Inductance (uH)	Tolerance	L, Q Test condition (MHz/V)	SRF _{min} (MHz)	DCR Max(Ω)	Rated Current Max (mA)
NR6020-R50	0.50	N	100/0.25	0.018	4500	4000
NR6020-R68	0.68			0.022	6550	3800
NR6020-R82	0.82			0.022	5300	3800
NR6020-1R0	1.0			0.020	4150	3500
NR6020-1R2	1.2			0.029	55900	3200
NR6020-1R5	1.5			0.029	4250	3200



Specifications subject to change without notice. Please check our website for latest information.

Tel: 0086-769-85016697 Fax: 0086-769-85016658 E-Mail: sales@ZXcompo.com www.zxcompo.com

Part Number	Inductance (uH)	Tolerance	L, Q Test condition (MHz/V)	SRF _{min} (MHz)	DCR Max(Ω)	Rated Current Max (mA)
NR6020-1R8	1.8	N	100/0.25	0.036	4850	2750
NR6020-2R0	2.0			0.046	4100	2600
NR6020-2R2	2.2			0.036	3750	2750
NR6020-2R7	2.7			0.046	3900	2600
NR6020-3R3	3.3			0.046	3150	2600
NR6020-3R9	3.9			0.064	3250	2100
NR6020-4R3	4.3			0.064	2700	2100
NR6020-4R7	4.7			0.075	3000	2000
NR6020-5R6	5.6			0.075	2400	1900
NR6020-6R2	6.2			0.103	2300	1800
NR6020-6R8	6.8			0.103	2200	1800
NR6020-8R2	8.2			0.137	2100	1400
NR6020-100	10			M、N	0.137	1750
NR6020-120	12	0.156	1450		1300	
NR6020-150	15	0.189	1200		1200	
NR6020-180	18	0.234	1200		1080	
NR6020-220	22	0.265	1050		1000	
NR6020-330	33	0.390	950		840	
NR6020-470	47	0.559	700		800	
NR6026-331	330	3.419	270		330	

Note: When ordering, please specify tolerance code. Tolerance: M: ±20%、N: ±30%;

1. Operating temperature range -40 -125℃
2. Isat for idncutance drop 30% from its value without current

● NR6028 TYPE

Part Number	Inductance (uH)	Tolerance	L, Q Test condition (MHz/V)	SRF _{min} (MHz)	DCR Max(Ω)	Rated Current Max (mA)
NR6028-R82	0.82	N	100/0.25	0.016	6500	5200
NR6028-1R0□	1.0			0.013	5750	5200
NR6028-1R2□	1.2			0.017	6400	4580
NR6028-1R5□	1.5			0.017	6000	4580
NR6028-2R2□	2.2			0.026	5100	3750
NR6028-2R7□	2.7			0.026	3800	3750



Specifications subject to change without notice. Please check our website for latest information.

Tel: 0086-769-85016697 Fax: 0086-769-85016658 E-Mail: sales@ZXcompo.com www.zxcompo.com

Part Number	Inductance (uH)	Tolerance	L, Q Test condition (MHz/V)	SRF _{min} (MHz)	DCR Max(Ω)	Rated Current Max (mA)
NR6028-3R3□	3.3	N	100/0.25	0.033	4150	3480
NR6028-4R7□	4.7			0.039	3000	3080
NR6028-5R1□	5.1			0.056	3200	2600
NR6028-6R2□	6.2	M、N		0.061	3050	2400
NR6028-6R8□	6.8			0.061	2600	2400
NR6028-8R2□	8.2			0.072	2300	2250
NR6028-9R1□	9.1			0.096	2550	2150
NR6028-100□	10			0.094	2040	1950
NR6028-120□	12			0.104	1800	1850
NR6028-150□	15			0.163	1750	1450
NR6028-180□	18			0.156	1520	1450
NR6028-220□	22			0.182	1450	1400
NR6028-270□	27			0.202	1500	1320
NR6028-330□	33			0.241	1350	1220
NR6028-360□	36			0.280	1250	1130
NR6028-390□	39			0.293	1250	1100
NR6028-470□	47			0.410	1150	1060
NR6028-560□	56			0.449	1050	890
NR6028-680□	68			0.468	800	860
NR6028-750□	75			0.533	900	810
NR6028-820□	82	0.650	800	700		
NR6028-101□	100	0.650	650	700		
NR6028-401□	400	2.808	300	400		
NR6028-102□	1000	7.540	180	230		

Note: When ordering, please specify tolerance code. Tolerance: M: ±20%、N: ±30%;

1. Operating temperature range -40 -125 °C
2. Isat for idncutance drop 30% from its value without current



Specifications subject to change without notice. Please check our website for latest information.

Tel: 0086-769-85016697 Fax: 0086-769-85016658 E-Mail: sales@ZXcompo.com www.zxcompo.com

● NR6040 TYPE

Part Number	Inductance (uH)	Tolerance	L、Q Test condition (MHz/V)	SRF _{min} (MHz)	DCR Max(Ω)	Rated Current Max (mA)
NR6040-1R0□	1.0	M、N	100/0.25	0.010	7850	6300
NR6040-100□	10			0.062	3200	2450
NR6040-120□	12			0.075	2800	2200
NR6040-150□	15			0.088	2500	2050
NR6040-220□	22			0.116	2050	1800
NR6040-330□	33			0.178	1650	1450
NR6040-680□	68			0.370	1150	950
NR6040-471□	470			2.500	420	470

Note: When ordering, please specify tolerance code. Tolerance: M: ±20%、N: ±30%;

1. Operating temperature range -40 -125 °C
2. Isat for idncutance drop 30% from its value without current

● NR6045 TYPE

Part Number	Inductance (uH)	Tolerance	L、Q Test condition (MHz/V)	SRF _{min} (MHz)	DCR Max(Ω)	Rated Current Max (mA)
NR6045-R47□	0.47	N	100/0.25	0.008	15000	6500
NR6045-R56□	0.56			0.008	15000	6500
NR6045-R68□	0.68			0.008	11000	5700
NR6045-R82□	0.82			0.010	10350	5900
NR6045-1R0□	1.0			0.014	9850	5140
NR6045-1R2□	1.2			0.013	8350	5400
NR6045-1R3□	1.3			0.013	8350	5400
NR6045-1R5□	1.5			0.016	8800	4950
NR6045-1R8□	1.8			0.016	7600	4950
NR6045-2R2□	2.2			0.018	6750	4600
NR6045-2R3□	2.3			0.027	6000	3500
NR6045-2R7□	2.7			0.020	5750	4300
NR6045-3R0□	3.0			0.026	5600	3800
NR6045-3R3□	3.3			0.027	5900	3700
NR6045-3R6□	3.6	0.027	5250	3700		
NR6045-4R3□	4.3	M、N	0.030	4450	3500	



Specifications subject to change without notice. Please check our website for latest information.

Tel: 0086-769-85016697 Fax: 0086-769-85016658 E-Mail: sales@ZXcompo.com www.zxcompo.com

Part Number	Inductance (uH)	Tolerance	L、Q Test condition (MHz/V)	SRF _{min} (MHz)	DCR Max(Ω)	Rated Current Max (mA)
NR6045-4R5□	4.5	M、N	100/0.25	0.034	4970	3300
NR6045-4R7□	4.7			0.034	4970	3300
NR6045-5R1□	5.1			0.034	4400	3300
NR6045-5R6□	5.6			0.038	4150	3150
NR6045-6R2□	6.2			0.040	4430	3000
NR6045-6R3□	6.3			0.040	4430	3000
NR6045-6R8□	6.8			0.040	3900	3000
NR6045-7R5□	7.5			0.044	3500	2900
NR6045-8R2□	8.2			0.056	3900	2600
NR6045-9R1□	9.1			0.056	3350	2600
NR6045-100□	10			0.062	3200	2450
NR6045-120□	12			0.075	2800	2200
NR6045-150□	15			0.088	2500	2050
NR6045-180□	18			0.105	2200	1850
NR6045-220□	22			0.116	2050	1800
NR6045-270□	27			0.133	1900	1650
NR6045-300□	30			0.172	1700	1500
NR6045-330□	33			0.178	1650	1450
NR6045-360□	36			0.225	1620	1400
NR6045-390□	39			0.234	1500	1250
NR6045-430□	43			0.260	1630	1200
NR6045-470□	47			0.260	1400	1200
NR6045-510□	51			0.269	1350	1150
NR6045-560□	56			0.287	1300	1100
NR6045-620□	62			0.306	1250	1100
NR6045-680□	68			0.376	1200	1000
NR6045-750□	75			0.397	1150	950
NR6045-820□	82			0.443	1050	900
NR6045-910□	91			0.467	1000	850
NR6045-101□	100			0.563	950	800
NR6045-121□	120	0.629	850	770		
NR6045-151□	150	0.754	800	700		



Specifications subject to change without notice. Please check our website for latest information.

Tel: 0086-769-85016697 Fax: 0086-769-85016658 E-Mail: sales@ZXcompo.com www.zxcompo.com

Part Number	Inductance (uH)	Tolerance	L、Q Test condition (MHz/V)	SRF _{min} (MHz)	DCR Max(Ω)	Rated Current Max (mA)
NR6045-221□	220	M、N	100/0.25	1.084	700	590
NR6045-331□	330			1.651	570	570
NR6045-471□	470			2.340	500	420
NR6045-681□	680			3.250	420	330
NR6045-102□	1000			5.850	300	300
NR6045-152□	1500			8.450	240	210

Note: When ordering, please specify tolerance code. Tolerance: M: ±20%、N: ±30%;

1. Operating temperature range -40 -125 °C
2. Isat for idncutance drop 30% from its value without current

● NR8040 TYPE

Part Number	Inductance (uH)	Tolerance	L、Q Test condition (MHz/V)	SRF _{min} (MHz)	DCR Max(Ω)	Rated Current Max (mA)
NR8040-R82□	0.82	N	100/0.25	0.010	13800	6300
NR8040-1R0□	1.0			0.010	9850	6300
NR8040-1R2□	1.2			0.013	10000	5650
NR8040-1R5□	1.5			0.013	8150	5650
NR8040-R0□	2.0			0.016	9250	5150
NR8040-2R2□	2.2			0.016	7100	5150
NR8040-3R0□	3.0			0.018	6100	4700
NR8040-3R3□	3.3			0.022	6500	4400
NR8040-3R6□	3.6			0.022	7520	4350
NR8040-3R9□	3.9			0.022	5750	4350
NR8040-4R7□	4.7			0.025	5900	4100
NR8040-5R1□	5.1			0.025	4700	4050
NR8040-5R6□	5.6			0.027	6000	3850
NR8040-6R2□	6.2	0.027	4450	3850		
NR8040-6R8□	6.8	M、N	100/0.25	0.031	4550	3600
NR8040-8R2□	8.2			0.034	4200	3450
NR8040-100□	10			0.038	3600	3300
NR8040-120□	12			0.053	3500	2800
NR8040-150□	15			0.061	2950	2600
NR8040-180□	18			0.069	3700	2400



Specifications subject to change without notice. Please check our website for latest information.

Tel: 0086-769-85016697 Fax: 0086-769-85016658 E-Mail: sales@ZXcompo.com www.zxcompo.com

Part Number	Inductance (uH)	Tolerance	L, Q Test condition (MHz/V)	SRF _{min} (MHz)	DCR Max(Ω)	Rated Current Max (mA)
NR8040-220□	22	M、N	100/0.25	0.090	2400	2100
NR8040-270□	27			0.101	2150	2000
NR8040-330□	33			0.126	2050	1800
NR8040-360□	36			0.133	2000	1750
NR8040-390□	39			0.139	1950	1700
NR8040-430□	43			0.147	1900	1650
NR8040-470□	47			0.177	1750	1550
NR8040-510□	51			0.185	1700	1500
NR8040-560□	56			0.192	1550	1450
NR8040-620□	62			0.237	1500	1300
NR8040-680□	68			0.255	1450	1250
NR8040-750□	75			0.274	1350	1200
NR8040-820□	82			0.293	1300	1150
NR8040-910□	91			0.354	1200	1050
NR8040-101□	100			0.377	1150	1000
NR8040-121□	120			0.434	1050	950
NR8040-151□	150			0.533	1100	850
NR8040-181□	180			0.676	950	830
NR8040-221□	220			0.779	850	800
NR8040-331□	330			1.156	680	640
NR8040-471□	470			1.625	600	500
NR8040-681□	680			2.665	500	450
NR8040-102□	1000			3.640	400	350
NR8040-152□	1500			6.500	320	260

Note: When ordering, please specify tolerance code. Tolerance: M: ±20%、N: ±30%;

1. Operating temperature range -40 -125 °C
2. Isat for idncutance drop 30% from its value without current



Specifications subject to change without notice. Please check our website for latest information.

Tel: 0086-769-85016697 Fax: 0086-769-85016658 E-Mail: sales@ZXcompo.com www.zxcompo.com

● Packaging Specifications

Tape Dimensions

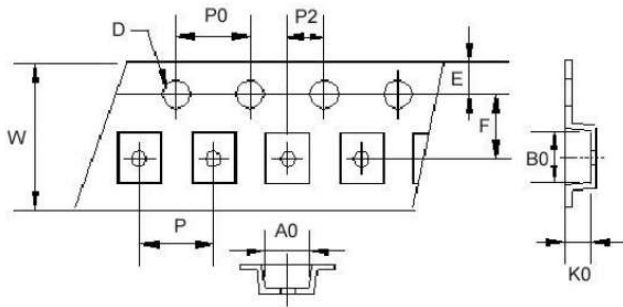


Figure 1

Tape Dimensions

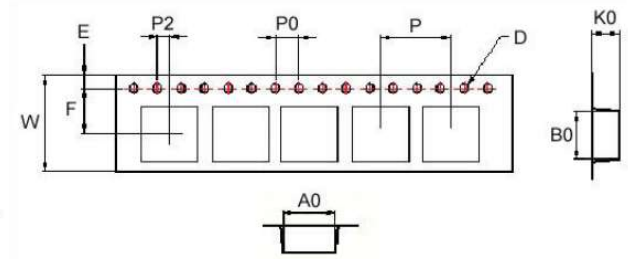


Figure 2

Reel Dimensions

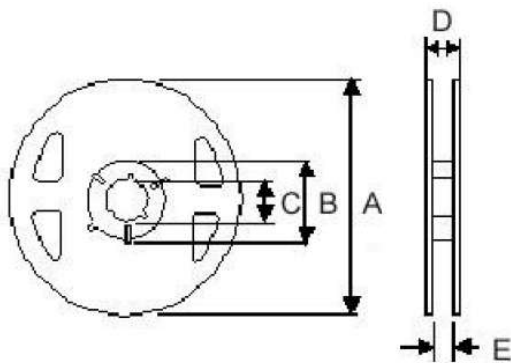


Figure 3

Reel Dimensions

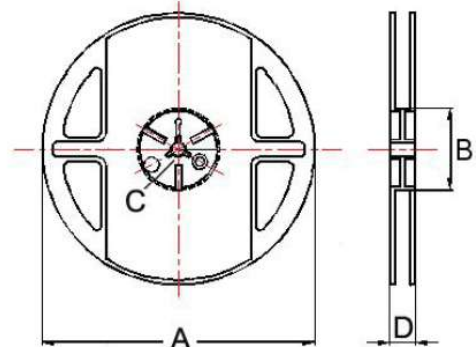


Figure 4