

SD Series Unshielded and Shielded Power Inductor



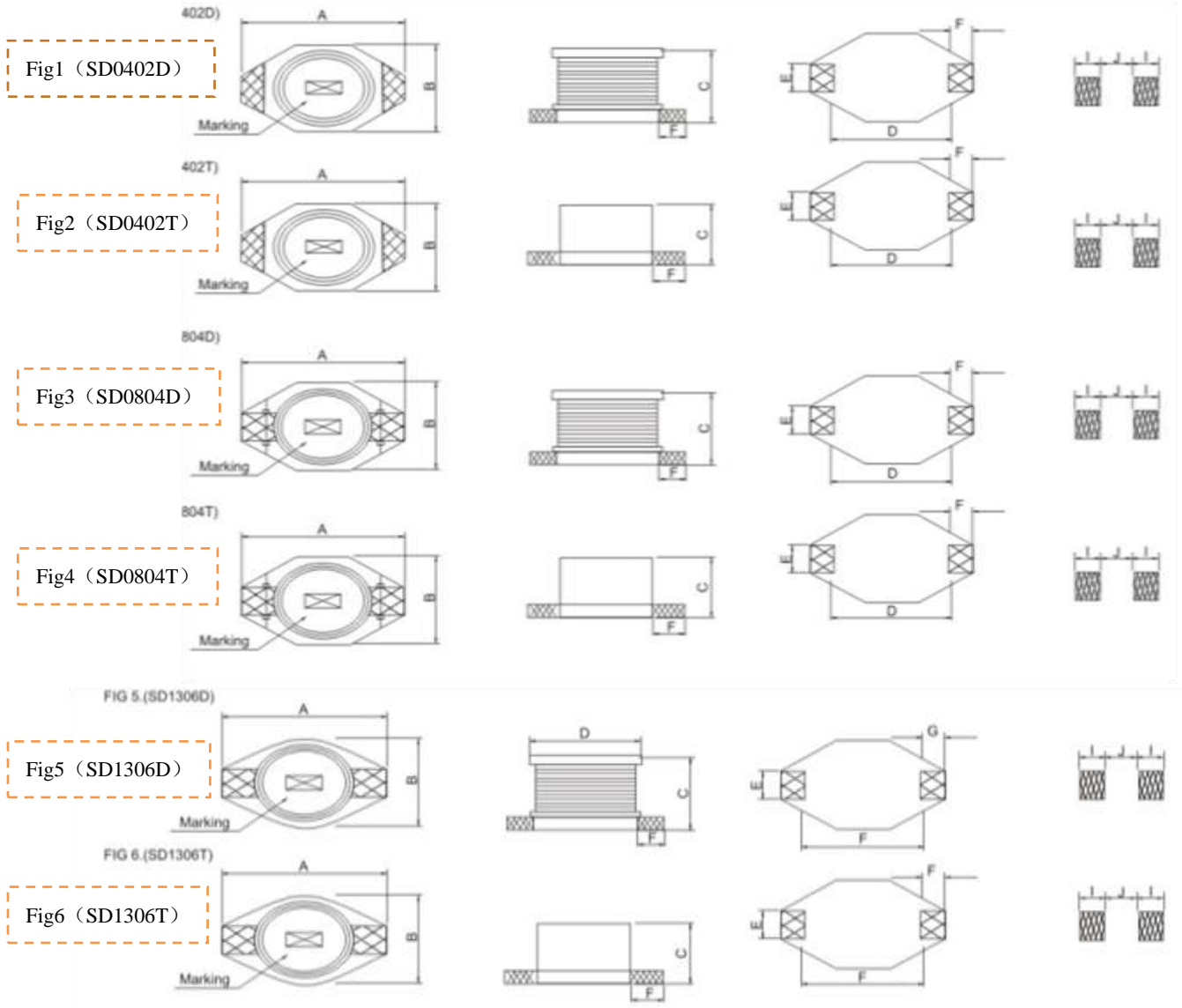
FEATURES

- ROHS, Halogen free and REACH Compliance.
- Magnetic shielded and unshielded.
- Miniature surface mount design.
- High current rating, low D.C Resistance.
- Various package size and wide inductance range.
- Ideal inductor for DC-DC conversion.

APPLICATIONS

- Portable computers.
- LED televisions
- DC/DC converter and power supply for VTRs

SHAPE AND DIMENSIONS



Part Number	Dimensions (mm)									
	A(MAX)	B(MAX)	C(MAX)	D	E	F	G	I	J	Fig
SD0402D	6.6	4.45	2.92	4.00	1.27	4.32	1.02	1.40	4.08	1
SD0402T	6.6	4.45	2.92	4.00	1.27	4.32	1.02	1.40	4.08	2
SD0804D	12.95	9.40	5.21	8.38	2.54	7.62	2.54	2.92	7.37	3
SD0804T	12.95	9.40	5.21	8.38	2.54	7.62	2.54	2.92	7.37	4
SD1306D	18.54	15.24	7.11	12.70	2.54	12.7	2.54	2.92	12.45	5

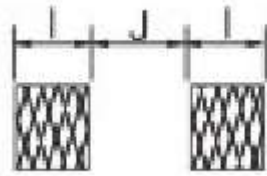


Specifications subject to change without notice. Please check our website for latest information.

Tel: 0086-769-85016697 Fax: 0086-769-85016658 E-Mail: sales@ZXcompo.com www.zxcompo.com

Part Number	Dimensions (mm)									
	A(MAX)	B(MAX)	C(MAX)	D	E	F	G	I	J	Fig
SD1306D	18.54	15.24	7.11	12.70	2.54	12.7	2.54	2.92	12.45	5

RECOMMENDED PC BOARD PATTERN



Part Number	Dimensions (mm)	
	I	J
SD0402D	1.40	4.08
SD0402T	1.40	4.08
SD0804D	2.92	7.37
SD0804T	2.92	7.37
SD1306D	2.92	12.45
SD1306D	2.92	12.45

PRODUCT IDENTIFICATION

SD 0402 T - 4R7 M



- 1 Series name
- 2 Dimensions D×T
- 3 Type: D-Unshielded T-Shielded
- 4 Inductance: R47-0.47uH 4R7-4.7uH 470-47uH 471-470uH
- 5 Tolerance: K: ±10% M: ±20% N: ±30%

SPECIFICATIONS

●SD0402D TYPE

Part Number	Inductance (uH)	Tolerance	Test Frequency (MHz/V)	DCR Max(Ω)	Rated Current Max (mA)
SD0402D-1R0	1.0	M、N	100/0.25	0.050	2900
SD0402D-1R5	1.5			0.055	2600
SD0402D-2R2	2.2			0.070	2300
SD0402D-3R3	3.3			0.080	2000



Specifications subject to change without notice. Please check our website for latest information.

Tel: 0086-769-85016697 Fax: 0086-769-85016658 E-Mail: sales@Zxcompo.com www.zxcompo.com

Part Number	Inductance (uH)	Tolerance	Test Frequency (MHz/V)	DCR Max(Ω)	Rated Current Max (mA)
SD0402D-4R7	4.7	M、N	100/0.25	0.090	1500
SD0402D-6R8	6.8			0.130	1200
SD0402D-100□	10			0.160	1100
SD0402D-150□	15			0.230	900
SD0402D-220□	22			0.370	700
SD0402D-330□	33			0.510	580
SD0402D-470□	47			0.760	500
SD0402D-680□	68			1.10	400
SD0402D-101□	100			2.00	310
SD0402D-151□	150			3.50	270
SD0402D-221□	220			4.00	220
SD0402D-331□	330			5.50	180
SD0402D-471□	470			7.50	160
SD0402D-681□	680			15.0	140
SD0402D-102□	1000			20.0	100

Note: When ordering, please specify tolerance code. Tolerance: M: ±20%、N: ±30%;

1. Operating temperature range -40 -125 °C
2. Isat for idncutance drop 30% from its value without current

● SD0402T TYPE

Part Number	Inductance (uH)	Tolerance	Test Frequency (MHz/V)	DCR Max(Ω)	Rated Current Max (mA)
SD0402T-1R0□	1.0	M、N	100/0.25	0.040	1400
SD0402T-1R5□	1.5			0.045	1300
SD0402T-2R2□	2.2			0.050	1100
SD0402T-3R3□	3.3			0.055	1000
SD0402T-4R7□	4.7			0.065	760
SD0402T-6R8□	6.8			0.090	630
SD0402T-100□	10			0.110	580
SD0402T-150□	15			0.150	500
SD0402T-220□	22			0.250	450
SD0402T-330□	33			0.350	340
SD0402T-470□	47			0.450	300
SD0402T-680□	68			0.550	250



Specifications subject to change without notice. Please check our website for latest information.

Tel: 0086-769-85016697 Fax: 0086-769-85016658 E-Mail: sales@ZXcompo.com www.zxcompo.com

Part Number	Inductance (uH)	Tolerance	Test Frequency (MHz/V)	DCR Max(Ω)	Rated Current Max (mA)
SD0402T-101□	100	M、N	100/0.25	0.765	230
SD0402T-151□	150			6.00	200
SD0402T-221□	220			7.00	170
SD0402T-331□	330			10.0	150
SD0402T-471□	470			15.0	120
SD0402T-681□	680			20.0	100
SD0402T-102□	1000			25.0	70

Note: When ordering, please specify tolerance code. Tolerance: M: ±20%、N: ±30%;

1. Operating temperature range -40 -125℃
2. Isat for idncutance drop 30% from its value without current

● SD0804DTYPE

Part Number	Inductance (uH)	Tolerance	Test Frequency (MHz/V)	DCR Max(Ω)	Rated Current Max (mA)
SD0804D-1R0	1.0	M、N	100/0.25	0.009	9000
SD0804D-1R5	1.5			0.010	8000
SD0804D-2R2	2.2			0.012	7000
SD0804D-3R3	3.3			0.015	6400
SD0804D-4R7	4.7			0.018	5400
SD0804D-6R8	6.8			0.027	4600
SD0804D-100□	10			0.038	3800
SD0804D-150□	15			0.060	3000
SD0804D-220□	22			0.085	2600
SD0804D-330□	33			0.100	2000
SD0804D-470□	47			0.140	1600
SD0804D-680□	68			0.200	1400
SD0804D-101□	100			0.280	1200
SD0804D-151□	150			0.500	1000
SD0804D-221□	220			0.610	800
SD0804D-331□	330			1.02	600
SD0804D-471□	470			1.27	500
SD0804D-681□	680			2.02	400
SD0804D-102□	1000			3.00	300

Note: When ordering, please specify tolerance code. Tolerance: M: ±20%、N: ±30%;

1. Operating temperature range -40 -125℃
2. Isat for idncutance drop 30% from its value without current



Specifications subject to change without notice. Please check our website for latest information.

Tel: 0086-769-85016697 Fax: 0086-769-85016658 E-Mail: sales@ZXcompo.com www.zxcompo.com

● SD0804T TYPE

Part Number	Inductance (uH)	Tolerance	Test Frequency (MHz/V)	DCR Max(Ω)	Rated Current Max (mA)
SD0804T-1R0□	1.0	M、N	100/0.25	0.021	5600
SD0804T-1R5□	1.5			0.022	5200
SD0804T-2R2□	2.2			0.032	5000
SD0804T-3R3□	3.3			0.039	3900
SD0804T-4R7□	4.7			0.054	3200
SD0804T-6R8□	6.8			0.075	2800
SD0804T-100□	10			0.101	2400
SD0804T-150□	15			0.150	2000
SD0804T-220□	22			0.207	1600
SD0804T-330□	33			0.334	1400
SD0804T-470□	47			0.472	1000

Note: When ordering, please specify tolerance code. Tolerance: M: ±20%、N: ±30%;

1. Operating temperature range -40 -125℃
2. Isat for idncutance drop 30% from its value without current

● SD1306D TYPE

Part Number	Inductance (uH)	Tolerance	Test Frequency (MHz/V)	DCR Max(Ω)	Rated Current Max (mA)
SD01306D-1R0	1.0	M、N	100/0.25	0.009	20000
SD01306D-2R2	2.2			0.014	16000
SD01306D-3R3	3.3			0.015	14000
SD01306D-5R6	5.6			0.020	12000
SD01306D-100	10			0.031	10000
SD01306D-150	15			0.036	8000
SD01306D-220	22			0.047	7000
SD01306D-330	33			0.066	5500
SD01306D-470	47			0.086	4500
SD01306D-680	68			0.130	3500
SD01306D-101	100			0.190	3000
SD01306D-151	150			0.320	2600
SD01306D-221	220			0.380	2400
SD01306D-331	330			0.560	1900



Specifications subject to change without notice. Please check our website for latest information.

Tel: 0086-769-85016697 Fax: 0086-769-85016658 E-Mail: sales@ZXcompo.com www.zxcompo.com

Part Number	Inductance (uH)	Tolerance	Test Frequency (MHz/V)	DCR Max(Ω)	Rated Current Max (mA)
SD01306D-471	470	M、N	100/0.25	0.850	1400
SD01306D-681	680			1.10	1200
SD01306D-102	1000			1.80	1000
SD01306D-202	2000			4.50	300

Note: When ordering, please specify tolerance code. Tolerance: M: $\pm 20\%$ 、N: $\pm 30\%$;

1. Operating temperature range -40 -125°C
2. Isat for idncutance drop 30% from its value without current

● SD1306T TYPE

Part Number	Inductance (uH)	Tolerance	Test Frequency (MHz/V)	DCR Max(Ω)	Rated Current Max (mA)
SD01306T-100	10	M、N	100/0.25	0.040	8000
SD01306T-150	15			0.048	7000
SD01306T-220	22			0.059	6000
SD01306T-330	33			0.075	5000
SD01306T-470	47			0.097	4000
SD01306T-680	68			0.138	3000
SD01306T-101	100			0.207	2400
SD01306T-151	150			0.293	2100
SD01306T-221	220			0.470	1900
SD01306T-331	330			0.780	1100
SD01306T-471	470			1.08	1000
SD01306T-681	680			1.40	960
SD01306T-102	1000			2.01	800

Note: When ordering, please specify tolerance code. Tolerance: M: $\pm 20\%$ 、N: $\pm 30\%$;

1. Operating temperature range -40 -125°C
2. Isat for idncutance drop 30% from its value without current



Specifications subject to change without notice. Please check our website for latest information.

Tel: 0086-769-85016697 Fax: 0086-769-85016658 E-Mail: sales@ZXcompo.com www.zxcompo.com

● Packaging Specifications

Tape Dimensions

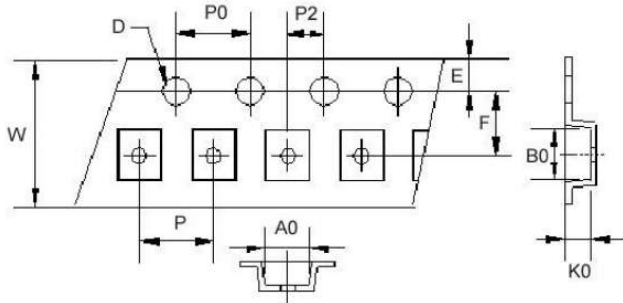


Figure 1

Tape Dimensions

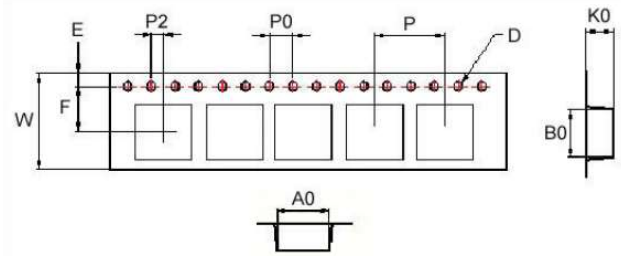


Figure 2

Reel Dimensions

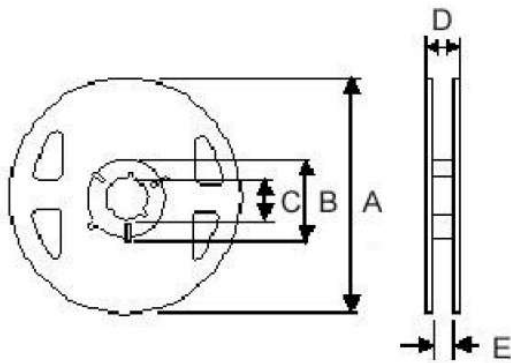


Figure 3

Reel Dimensions

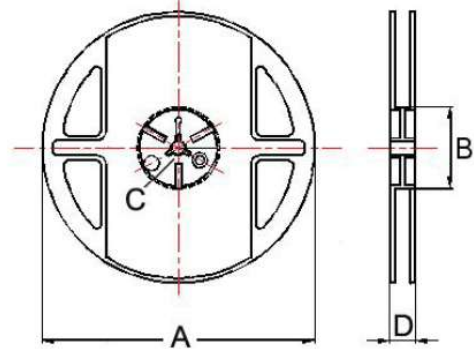


Figure 4