

SMRH₂ Series Shielded Power Inductors



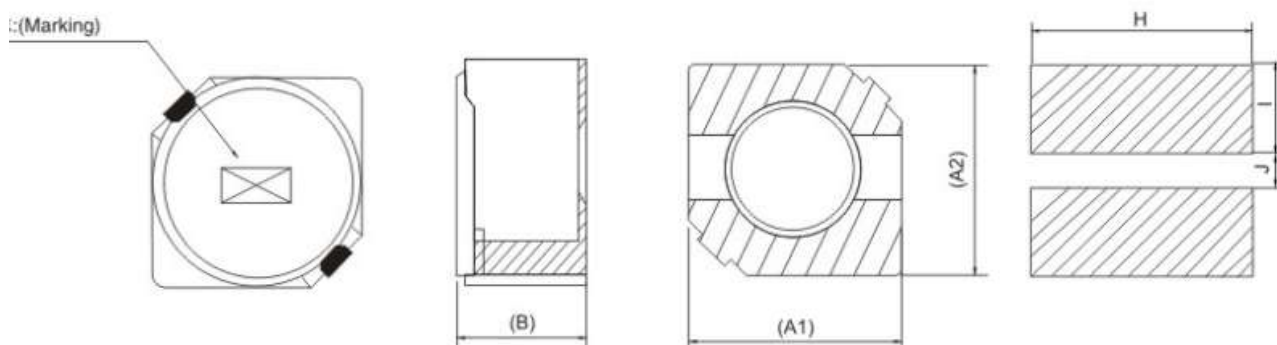
FEATURES

- ROHS, Halogen free and REACH Compliance
- Magnetic shielded surface mount inductor
- High current rating, low DC resistance
- Various package size and wide inductance range

APPLICATIONS

- AP Routers, STBs and LCD TVs.
- Monitors, Game consoles and LED lightings
- Notebook computer, DC - DC converters, etc

SHAPE AND DIMENSIONS

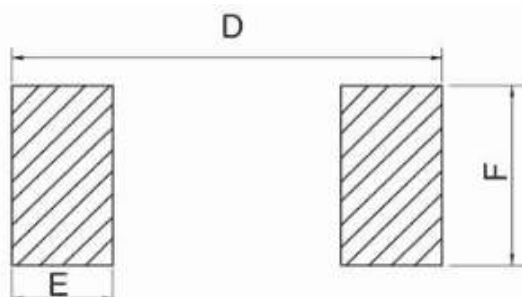


Specifications subject to change without notice. Please check our website for latest information.

Tel: 0086-769-85016697 Fax: 0086-769-85016658 E-Mail: sales@ZXcompo.com www.zxcompo.com

Part Number	Dimensions (mm)					
	A1(MAX)	A2(MAX)	B(MAX)	H	I	J
SMRH2D11	3.3	3.3	1.4	3.5	1.35	0.8
SMRH2D14	3.3	3.3	1.7	3.5	1.35	0.8
SMRH2D18	3.3	3.3	2.1	3.5	1.35	0.8
SMRH3D16	4.0	4.0	1.9	4.5	1.5	1.2
SMRH3D18	4.0	4.0	2.1	4.5	1.5	1.2
SMRH3D28	4.0	4.0	3.1	4.5	1.5	1.2
SMRH4D18	5.0	5.0	2.1	5.3	1.9	1.5
SMRH4D28	5.0	5.0	3.1	5.3	1.9	1.5
SMRH5D18	6.0	6.0	2.1	6.3	2.2	2.0
SMRH5D28	6.0	6.0	3.1	6.3	2.2	2.0
SMRH6D28	7.0	7.0	3.1	7.3	2.7	2.0
SMRH6D38	7.0	7.0	4.1	7.3	2.7	2.0

RECOMMENDED PC BOARD PATTERN



Part Number	Dimensions (mm)		
	D	E	F
SMRH2D11	3.5	1.35	3.5
SMRH2D14	3.5	1.35	3.5
SMRH2D18	3.5	1.35	3.5
SMRH3D16	4.2	1.5	4.5
SMRH3D18	4.2	1.5	4.5
SMRH3D28	4.2	1.5	4.5
SMRH4D18	5.3	1.9	5.3
SMRH4D28	5.3	1.9	5.3
SMRH5D18	6.4	2.2	6.3
SMRH5D28	6.4	2.2	6.3
SMRH6D28	7.4	2.7	7.3
SMRH6D38	7.4	2.7	7.3

PRODUCT IDENTIFICATION



- ① Series name
- ② Dimensions D×T
- ③ Inductance: R47-0.47uH 4R7-4.7uH 100-10uH
- ④ Tolerance: K: ±10% M: ±20% N: ±30%
- ⑤ Package: B:by bulk T: Tape and Reel

SPECIFICATIONS

● SMRH2D11 TYPE

Part Number	Inductance (uH)	Tolerance	Test Frequency (KHz/V)	DCR Max(Ω)	Rated Current Max (mA)
SMRH2D11-1R5□	1.5	M、N	100/0.25	0.08	880
SMRH2D11-2R2□	2.2			0.12	700
SMRH2D11-3R3□	3.3			0.155	580
SMRH2D11-4R7□	4.7			0.21	500
SMRH2D11-5R6□	5.6			0.29	440
SMRH2D11-6R8□	6.8			0.33	390
SMRH2D11-8R2□	8.2			0.37	350
SMRH2D11-100□	10			0.40	320
SMRH2D11-120□	12			0.55	300
SMRH2D11-150□	15			0.78	260



Specifications subject to change without notice. Please check our website for latest information.

Tel: 0086-769-85016697 Fax: 0086-769-85016658 E-Mail: sales@ZXcompo.com www.zxcompo.com

Part Number	Inductance (uH)	Tolerance	Test Frequency (KHz/V)	DCR Max(Ω)	Rated Current Max (mA)
SMRH2D11-220□	22	M、N	100/0.25	1.05	210

Note: When ordering, please specify tolerance code. Tolerance: M: ±20%、N: ±30%;

1. Operating temperature range -40 -125℃
2. Isat for idncutance drop 30% from its value without current

● SMRH2D14 TYPE

Part Number	Inductance (uH)	Tolerance	Test Frequency (KHz/V)	DCR Max(Ω)	Rated Current Max (mA)
SMRH2D14-1R5□	1.5	M、N	100/0.25	0.075	1000
SMRH2D14-2R2□	2.2			0.094	810
SMRH2D14-3R3□	3.3			0.125	680
SMRH2D14-4R7□	4.7			0.169	580
SMRH2D14-5R6□	5.6			0.188	510
SMRH2D14-6R8□	6.8			0.232	480
SMRH2D14-8R2□	8.2			0.281	430
SMRH2D14-100□	10			0.35	370
SMRH2D14-120□	12			0.40	360
SMRH2D14-150□	15			0.57	320
SMRH2D14-220□	22			0.87	270
SMRH2D14-330□	33			1.20	220

Note: When ordering, please specify tolerance code. Tolerance: M: ±20%、N: ±30%;

1. Operating temperature range -40 -125℃
2. Isat for idncutance drop 30% from its value without current

● SMRH2D18 TYPE

Part Number	Inductance (uH)	Tolerance	Test Frequency (KHz/V)	DCR Max(Ω)	Rated Current Max (mA)
SMRH2D18-1R5□	1.5	M、N	100/0.25	0.049	1100
SMRH2D18-2R2□	2.2			0.071	890
SMRH2D18-3R3□	3.3			0.095	750
SMRH2D18-4R7□	4.7			0.125	650
SMRH2D18-5R6□	5.6			0.165	570
SMRH2D18-6R8□	6.8			0.180	540
SMRH2D18-8R2□	8.2			0.235	480
SMRH2D18-100□	10			0.310	440
SMRH2D18-120□	12			0.350	400



Specifications subject to change without notice. Please check our website for latest information.

Tel: 0086-769-85016697 Fax: 0086-769-85016658 E-Mail: sales@ZXcompo.com www.zxcompo.com

Part Number	Inductance (uH)	Tolerance	Test Frequency (KHz/V)	DCR Max(Ω)	Rated Current Max (mA)
SMRH2D18-150□	15	M、N	100/0.25	0.450	350
SMRH2D18-220□	22			0.700	300
SMRH2D18-330□	33			0.910	240
SMRH2D18-470□	47			1.400	200

Note: When ordering, please specify tolerance code. Tolerance: M: ±20%、N: ±30%;

1. Operating temperature range -40 -125℃
2. Isat for idncutance drop 30% from its value without current

● SMRH3D16 TYPE

Part Number	Inductance (uH)	Tolerance	Test Frequency (KHz/V)	DCR Max(Ω)	Rated Current Max (mA)
SMRH3D16-1R5□	1.5	M、N	100/0.25	0.064	1050
SMRH3D16-2R2□	2.2			0.090	800
SMRH3D16-3R3□	3.3			0.110	680
SMRH3D16-4R7□	4.7			0.130	580
SMRH3D16-5R6□	5.6			0.180	510
SMRH3D16-6R8□	6.8			0.230	460
SMRH3D16-8R2□	8.2			0.270	420
SMRH3D16-100□	10			0.300	380
SMRH3D16-120□	12			0.390	340
SMRH3D16-150□	15			0.450	310
SMRH3D16-220□	22			0.560	280
SMRH3D16-330□	33			0.650	260
SMRH3D16-470□	47			1.00	210

Note: When ordering, please specify tolerance code. Tolerance: M: ±20%、N: ±30%;

1. Operating temperature range -40 -125℃
2. Isat for idncutance drop 30% from its value without current

● SMRH3D18 TYPE

Part Number	Inductance (uH)	Tolerance	Test Frequency (KHz/V)	DCR Max(Ω)	Rated Current Max (mA)
SMRH3D18-1R2□	1.2	M、N	100/0.25	0.047	1370
SMRH3D18-1R8□	1.8			0.066	1050
SMRH3D18-2R2□	2.2			0.072	950



Specifications subject to change without notice. Please check our website for latest information.

Tel: 0086-769-85016697 Fax: 0086-769-85016658 E-Mail: sales@ZXcompo.com www.zxcompo.com

Part Number	Inductance (uH)	Tolerance	Test Frequency (KHz/V)	DCR Max(Ω)	Rated Current Max (mA)
SMRH3D18-3R3□	3.3	M、N	100/0.25	0.100	800
SMRH3D18-4R7□	4.7			0.132	680
SMRH3D18-5R6□	5.6			0.164	620
SMRH3D18-6R8□	6.8			0.200	580
SMRH3D18-8R2□	8.2			0.240	510
SMRH3D18-100□	10			0.275	460
SMRH3D18-120□	12			0.350	420
SMRH3D18-150□	15			0.400	380
SMRH3D18-180□	18			0.500	340
SMRH3D18-220□	22			0.600	310
SMRH3D18-270□	27			0.700	280
SMRH3D18-330□	33			0.900	260
SMRH3D18-390□	39			1.05	240
SMRH3D18-470□	47			1.47	210
SMRH3D18-560□	56			2.10	190
SMRH3D18-680□	68			2.40	170
SMRH3D18-820□	82			2.90	150

Note: When ordering, please specify tolerance code. Tolerance: M: $\pm 20\%$ 、N: $\pm 30\%$;

1. Operating temperature range -40 -125°C
2. Isat for idncutance drop 30% from its value without current

● SMRH3D28 TYPE

Part Number	Inductance (uH)	Tolerance	Test Frequency (KHz/V)	DCR Max(Ω)	Rated Current Max (mA)
SMRH3D28-1R0□	1.0	M、N	100/0.25	0.040	2300
SMRH3D28-1R2□	1.2			0.045	2200
SMRH3D28-1R8□	1.8			0.058	2200
SMRH3D28-2R2□	2.2			0.062	2100
SMRH3D28-2R5□	2.5			0.070	2000
SMRH3D28-2R7□	2.7			0.073	1950
SMRH3D28-3R3□	3.3			0.087	1800
SMRH3D28-3R9□	3.9			0.082	1600
SMRH3D28-4R7□	4.7			0.100	1500



Specifications subject to change without notice. Please check our website for latest information.

Tel: 0086-769-85016697 Fax: 0086-769-85016658 E-Mail: sales@ZXcompo.com www.zxcompo.com

Part Number	Inductance (uH)	Tolerance	Test Frequency (KHz/V)	DCR Max(Ω)	Rated Current Max (mA)
SMRH3D28-5R6□	5.6	M、N	100/0.25	0.110	1350
SMRH3D28-6R8□	6.8			0.150	1200
SMRH3D28-8R2□	8.2			0.160	1100
SMRH3D28-100□	10			0.170	1050
SMRH3D28-120□	12			0.175	900
SMRH3D28-150□	15			0.230	850
SMRH3D28-180□	18			0.250	750
SMRH3D28-220□	22			0.335	680
SMRH3D28-270□	27			0.420	620
SMRH3D28-330□	33			0.600	560
SMRH3D28-390□	39			0.750	510
SMRH3D28-470□	47			0.900	481
SMRH3D28-560□	56			1.20	430
SMRH3D28-680□	68			1.40	400
SMRH3D28-820□	82			1.80	360
SMRH3D28-101□	100			2.00	330
SMRH3D28-121□	120			2.20	300
SMRH3D28-151□	150			3.20	270
SMRH3D28-181□	180			3.50	250
SMRH3D28-221□	220			4.00	220
SMRH3D28-271□	270	5.60	200		

Note: When ordering, please specify tolerance code. Tolerance: M: $\pm 20\%$ 、N: $\pm 30\%$;

1. Operating temperature range -40 -125°C
2. Isat for idncutance drop 30% from its value without current

● SMRH4D18TYPE

Part Number	Inductance (uH)	Tolerance	Test Frequency (KHz/V)	DCR Max(Ω)	Rated Current Max (mA)
SMRH4D18-1R0□	1.0	K、M	100/0.25	0.030	2300
SMRH4D18-1R2□	1.2			0.035	2000
SMRH4D18-1R8□	1.8			0.037	1960
SMRH4D18-2R2□	2.2			0.040	1900
SMRH4D18-2R5□	2.5			0.044	1840
SMRH4D18-2R7□	2.7			0.062	1770



Specifications subject to change without notice. Please check our website for latest information.

Tel: 0086-769-85016697 Fax: 0086-769-85016658 E-Mail: sales@ZXcompo.com www.zxcompo.com

Part Number	Inductance (uH)	Tolerance	Test Frequency (KHz/V)	DCR Max(Ω)	Rated Current Max (mA)
SMRH4D18-3R3□	3.3	K、M	100/0.25	0.070	1650
SMRH4D18-3R9□	3.9			0.095	1450
SMRH4D18-4R7□	4.7			0.100	1400
SMRH4D18-5R6□	5.6			0.150	1200
SMRH4D18-6R8□	6.8			0.153	980
SMRH4D18-8R2□	8.2			0.165	940
SMRH4D18-100□	10			0.180	820
SMRH4D18-120□	12			0.240	760
SMRH4D18-150□	15			0.300	730
SMRH4D18-180□	18			0.340	680
SMRH4D18-220□	22			0.400	630
SMRH4D18-270□	27			0.440	560
SMRH4D18-330□	33			0.695	520
SMRH4D18-390□	39			0.700	480
SMRH4D18-470□	47			0.920	420
SMRH4D18-560□	56			1.08	370
SMRH4D18-680□	68			1.30	320
SMRH4D18-820□	82			1.55	300
SMRH4D18-101□	100			1.75	270
SMRH4D18-121□	120			2.00	250
SMRH4D18-151□	150			2.80	200
SMRH4D18-181□	180	3.10	180		

Note: When ordering, please specify tolerance code. Tolerance: K: ±10%、M: ±20%;

1. Operating temperature range -40 -125℃
2. Isat for idncutance drop 30% from its value without current

● SMRH4D28 TYPE

Part Number	Inductance (uH)	Tolerance	Test Frequency (KHz/V)	DCR Max(Ω)	Rated Current Max (mA)
SMRH4D28-1R2□	1.2	K、M	100/0.25	0.025	2500
SMRH4D28-1R8□	1.8			0.035	2200
SMRH4D28-2R2□	2.2			0.040	2000
SMRH4D28-2R7□	2.7			0.050	1600



Specifications subject to change without notice. Please check our website for latest information.

Tel: 0086-769-85016697 Fax: 0086-769-85016658 E-Mail: sales@ZXcompo.com www.zxcompo.com

Part Number	Inductance (uH)	Tolerance	Test Frequency (KHz/V)	DCR Max(Ω)	Rated Current Max (mA)
SMRH4D28-3R3□	3.3	K、M	100/0.25	0.060	1500
SMRH4D28-3R9□	3.9			0.065	1400
SMRH4D28-4R7□	4.7			0.070	1300
SMRH4D28-5R6□	5.6			0.075	1200
SMRH4D28-6R8□	6.8			0.080	1100
SMRH4D28-8R2□	8.2			0.090	1000
SMRH4D28-100□	10			0.100	900
SMRH4D28-120□	12			0.130	800
SMRH4D28-150□	15			0.160	750
SMRH4D28-180□	18			0.190	700
SMRH4D28-220□	22			0.210	650
SMRH4D28-270□	27			0.250	600
SMRH4D28-330□	33			0.260	500
SMRH4D28-390□	39			0.320	500
SMRH4D28-470□	47			0.450	450
SMRH4D28-560□	56			0.500	400
SMRH4D28-680□	68			0.650	350
SMRH4D28-820□	82			0.750	300
SMRH4D28-101□	100			0.850	280
SMRH4D28-121□	120			1.200	260
SMRH4D28-151□	150	1.400	230		
SMRH4D28-181□	180	1.500	210		

Note: When ordering, please specify tolerance code. Tolerance: K: ±10%、M: ±20%;

1. Operating temperature range -40 -125℃
2. Isat for idncutance drop 30% from its value without current

● SMRH5D18 TYPE

Part Number	Inductance (uH)	Tolerance	Test Frequency (KHz/V)	DCR Max(Ω)	Rated Current Max (mA)
SMRH5D18-4R1□	4.1	K、M	100/0.25	0.075	2000
SMRH5D18-5R4□	5.4			0.085	1600
SMRH5D18-6R2□	6.2			0.096	1400
SMRH5D18-8R9□	8.9			0.130	1250
SMRH5D18-100□	10			0.140	1200



Specifications subject to change without notice. Please check our website for latest information.

Tel: 0086-769-85016697 Fax: 0086-769-85016658 E-Mail: sales@ZXcompo.com www.zxcompo.com

Part Number	Inductance (uH)	Tolerance	Test Frequency (KHz/V)	DCR Max(Ω)	Rated Current Max (mA)
SMRH5D18-120□	12	K、M	100/0.25	0.180	1100
SMRH5D18-150□	15			0.230	970
SMRH5D18-180□	18			0.250	850
SMRH5D18-220□	22			0.290	800
SMRH5D18-270□	27			0.330	750
SMRH5D18-330□	33			0.386	650
SMRH5D18-390□	39			0.520	570
SMRH5D18-470□	47			0.654	540
SMRH5D18-560□	56			0.750	500
SMRH5D18-680□	68			0.845	430
SMRH5D18-820□	82			1.090	410
SMRH5D18-101□	100			1.350	260

Note: When ordering, please specify tolerance code. Tolerance: K: ±10%、M: ±20%;

1. Operating temperature range -40 -125℃
2. Isat for idncutance drop 30% from its value without current

● SMRH5D28 TYPE

Part Number	Inductance (uH)	Tolerance	Test Frequency (KHz/V)	DCR Max(Ω)	Rated Current Max (mA)
SMRH5D28-2R6□	2.6	K、M	100/0.25	0.025	2500
SMRH5D28-3R0□	3.0			0.030	2400
SMRH5D28-4R2□	4.2			0.040	2200
SMRH5D28-5R3□	5.3			0.045	1800
SMRH5D28-6R2□	6.2			0.055	1700
SMRH5D28-8R2□	8.2			0.065	1500
SMRH5D28-100□	10			0.075	1300
SMRH5D28-120□	12			0.085	1200
SMRH5D28-150□	15			0.120	1100
SMRH5D28-180□	18			0.140	1000
SMRH5D28-220□	22			0.180	900
SMRH5D28-270□	27			0.200	800
SMRH5D28-330□	33			0.210	700
SMRH5D28-390□	39			0.250	600
SMRH5D28-470□	47			0.280	550



Specifications subject to change without notice. Please check our website for latest information.

Tel: 0086-769-85016697 Fax: 0086-769-85016658 E-Mail: sales@ZXcompo.com www.zxcompo.com

Part Number	Inductance (uH)	Tolerance	Test Frequency (KHz/V)	DCR Max(Ω)	Rated Current Max (mA)
SMRH5D28-56□	56	K、M	100/0.25	0.320	500
SMRH5D28-68□	68			0.380	450
SMRH5D28-82□	82			0.500	400
SMRH5D28-101□	100			0.600	350

Note: When ordering, please specify tolerance code. Tolerance: K: ±10%、M: ±20%;

1. Operating temperature range -40 -125℃
2. Isat for idncutance drop 30% from its value without current

● SMRH6D28 TYPE

Part Number	Inductance (uH)	Tolerance	Test Frequency (KHz/V)	DCR Max(Ω)	Rated Current Max (mA)
SMRH6D28-3R0□	3.0	K、M	100/0.25	0.024	3000
SMRH6D28-3R9□	3.9			0.027	2600
SMRH6D28-5R0□	5.0			0.031	2400
SMRH6D28-6R0□	6.0			0.035	2250
SMRH6D28-6R8□	6.8			0.055	2000
SMRH6D28-7R3□	7.3			0.056	1900
SMRH6D28-8R6□	8.6			0.058	1850
SMRH6D28-100□	10			0.065	1700
SMRH6D28-120□	12			0.070	1550
SMRH6D28-150□	15			0.084	1400
SMRH6D28-180□	18			0.095	1320
SMRH6D28-220□	22			0.128	1200
SMRH6D28-270□	27			0.142	1050
SMRH6D28-330□	33			0.165	970
SMRH6D28-390□	39			0.210	860
SMRH6D28-470□	47			0.238	8000
SMRH6D28-560□	56			0.277	730
SMRH6D28-680□	68			0.304	650
SMRH6D28-820□	82			0.390	600

Note: When ordering, please specify tolerance code. Tolerance: K: ±10%、M: ±20%;

1. Operating temperature range -40 -125℃
2. Isat for idncutance drop 30% from its value without current



Specifications subject to change without notice. Please check our website for latest information.

Tel: 0086-769-85016697 Fax: 0086-769-85016658 E-Mail: sales@ZXcompo.com www.zxcompo.com

● SMRH6D38 TYPE

Part Number	Inductance (uH)	Tolerance	Test Frequency (KHz/V)	DCR Max(Ω)	Rated Current Max (mA)
SMRH6D38-3R3□	3.3	K、M	100/0.25	0.030	3500
SMRH6D38-5R0□	5.0			0.040	2900
SMRH6D38-6R0□	6.0			0.050	2500
SMRH6D38-7R3□	7.3			0.055	2300
SMRH6D38-8R6□	8.6			0.060	2200
SMRH6D38-100□	10			0.070	2000
SMRH6D38-120□	12			0.075	1700
SMRH6D38-150□	15			0.080	1600
SMRH6D38-180□	18			0.110	1500
SMRH6D38-220□	22			0.130	1300
SMRH6D38-270□	27			0.160	1200
SMRH6D38-330□	33			0.180	1100
SMRH6D38-390□	39			0.190	1000
SMRH6D38-470□	47			0.200	950
SMRH6D38-560□	56			0.240	850
SMRH6D38-680□	68			0.260	750
SMRH6D38-820□	82			0.310	700
SMRH6D38-101□	100			0.350	650

Note: When ordering, please specify tolerance code. Tolerance: K: ±10%、M: ±20%;

1. Operating temperature range -40 -125℃
2. Isat for idncutance drop 30% from its value without current



Specifications subject to change without notice. Please check our website for latest information.

Tel: 0086-769-85016697 Fax: 0086-769-85016658 E-Mail: sales@ZXcompo.com www.zxcompo.com

● Packaging Specifications

Tape Dimensions

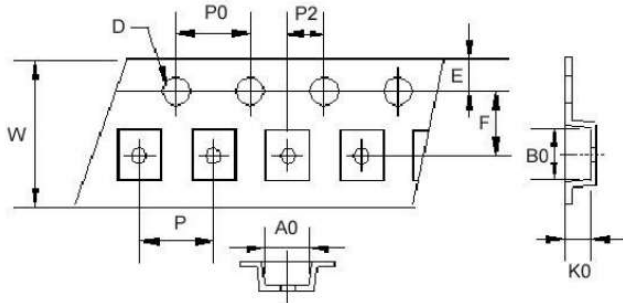


Figure 1

Tape Dimensions

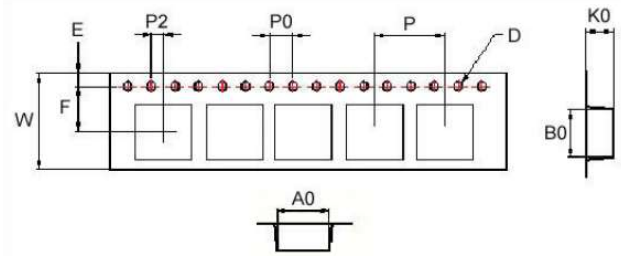


Figure 2

Reel Dimensions

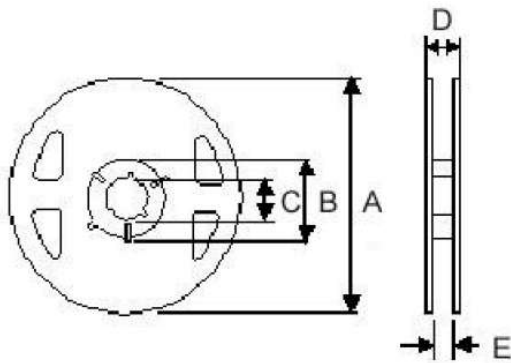


Figure 3

Reel Dimensions

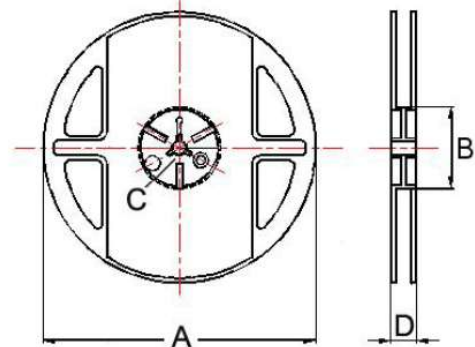


Figure 4