

CLCM-1006 Series Common Mode Inductor



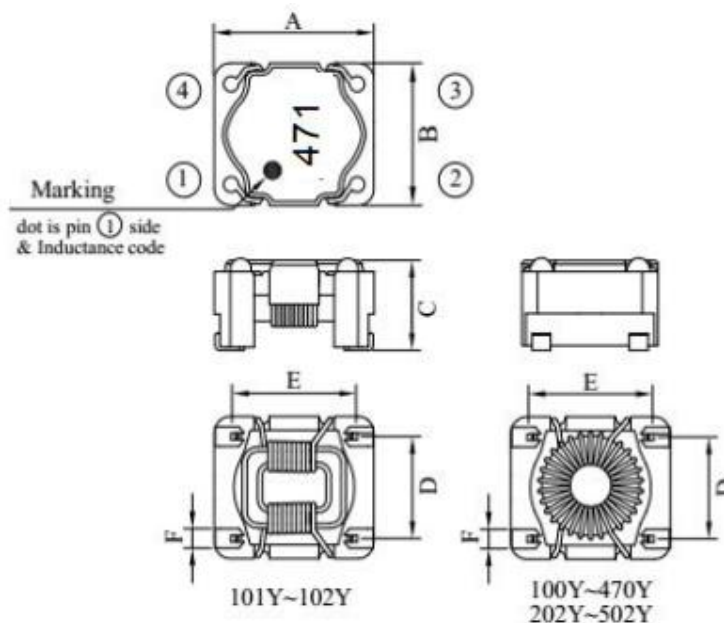
FEATURES

- Operating temperature range covers from -40 to $+105^{\circ}\text{C}$
- Non-dissolution of the abutment amounts in circuit board mounting
- The products contain no lead and also support lead-free soldering
- This product conforms to the standards that are slated to be introduced under the RoHS Directive

APPLICATIONS

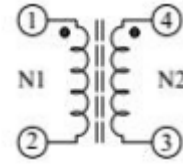
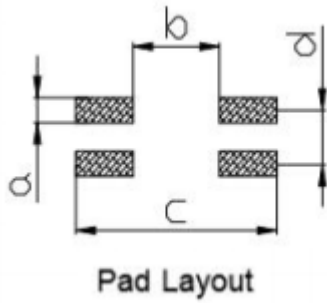
- Video recorders, OA equipment, LCD computer.
- GPS
- Notebook computer, DC - DC converters, etc

SHAPE AND DIMENSIONS



Part Number	Dimensions (mm)					
	A	B	C	D	E	F
CLCM-0904	9.5±0.5	8.7±0.3	6.5Max	6.2±0.1	7.62±0.1	1.4Ref

RECOMMENDED PC BOARD PATTERN



Part Number	Dimensions (mm)			
	a	b	c	d
CLCM-0904	2.7Typ	4.92Typ	10.32Typ	3.52Typ

PRODUCT IDENTIFICATION

CLCM 1006 - 101 Y

- ① ② ③ ④

- ① Series name
- ② Dimensions L*W*H
- ③ Inductance: 100-10uH 101-100uH 102-1000uH
- ④ Tolerance: K: ±10% M: ±20% N: ±30% Y:50%



Specifications subject to change without notice. Please check our website for latest information.

Tel: 0086-769-85016657 Fax: 0086-769-85016658 E-Mail: sales@ZXcompo.com www.zxcompo.com

SPECIFICATIONS

● CLCM-0904 TYPE

Part Number	Inductance L1=L2 (uh)	Test Frequency (KHz/V)	DCR N1 N2 Max(Ω)	Rated Current Max (A)	Impedance(Q)Min	FrequencyRang (MHz)	Hi-Pot(Vac) 3mA/IS
CLCM-1006-100Y	6uh +40%/-40%	1.0/0.1V	0.003	4.0	100	10-300	600
CLCM-1006-220Y	22uh +40%/-40%	1.0/0.1V	0.035	3.8	300	10-200	600
CLCM-1006-470Y	47uh +40%/-40%	1.0/0.1V	0.040	3.2	800	10-100	600
CLCM-1006-101Y	100uh +40%/-40%	1.0/0.1V	0.030	3.0	100	10-300	1000
CLCM-1006-121Y	120uh +40%/-40%	1.0/0.1V	0.025	2.5	200	10-200	1000
CLCM-1006-201Y	200uh +40%/-40%	1.0/5mV	0.015	3.0	300	7-150	1000
CLCM-1006-221Y	100uh +40%/-40%	1.0/5mV	0.032	2.2	350	7-150	1000
CLCM-1006-251Y	250uh +40%/-40%	1.0/5mV	0.035	2.0	400	5-100	1000
CLCM-1006-331Y	330uh +40%/-40%	1.0/5mV	0.048	2.5	500	5-100	1000
CLCM-1006-471Y	470uh +40%/-40%	1.0/5mV	0.065	1.6	900	2-40	1000
CLCM-1006-501Y	500uh +40%/-40%	1.0/5mV	0.070	1.5	800	2-50	1000
CLCM-1006-102Y	1000uh +40%/-40%	1.0/5mV	0.180	0.95	1400	1-40	1000
CLCM-1006-202Y	2000uh +40%/-40%	1.0/5mV	0.270	0.80	2000	0.5-15	300
CLCM-1006-222Y	2200uh+40%/- 40%	1.0/5mV	0.300	0.75	3400	1-11	300
CLCM-1006-332Y	3300uh +40%/-40%	1.0/5mV	0.330	0.65	4400	0.9-7	300
CLCM-1006-472Y	4700uh +40%/-40%	1.0/5mV	0.72	0.35	6200	0.6-3	300
CLCM-1006-502Y	5000uh +40%/-40%	1.0/5mV	0.78	0.30	5000	0.5-3	300

Note: When ordering, please specify tolerance code. Tolerance: M: $\pm 20\%$ 、N: $\pm 30\%$;

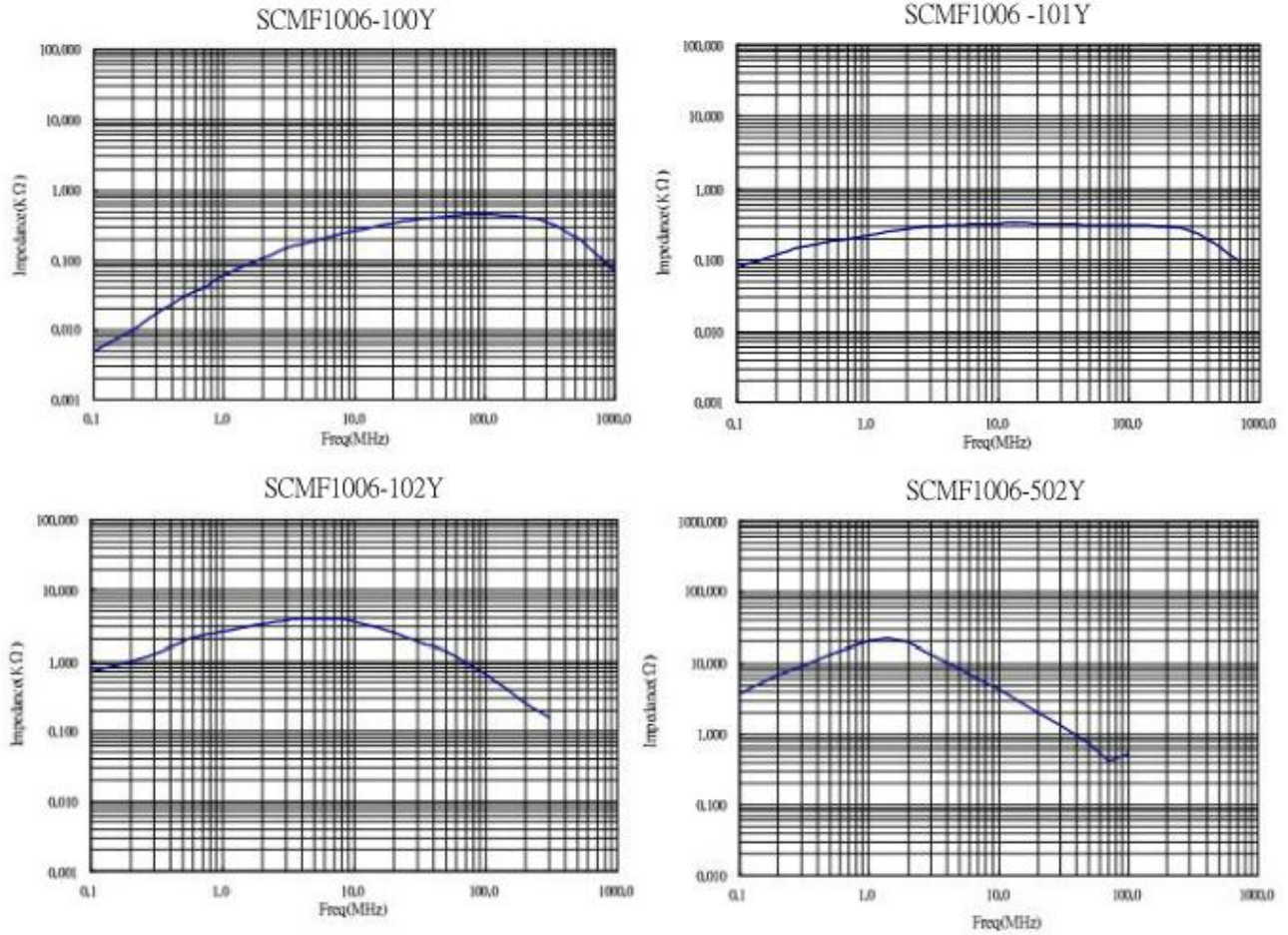
1. Operating temperature range -40 -125 °C
2. Isat for inductance drop 30% from its value without current



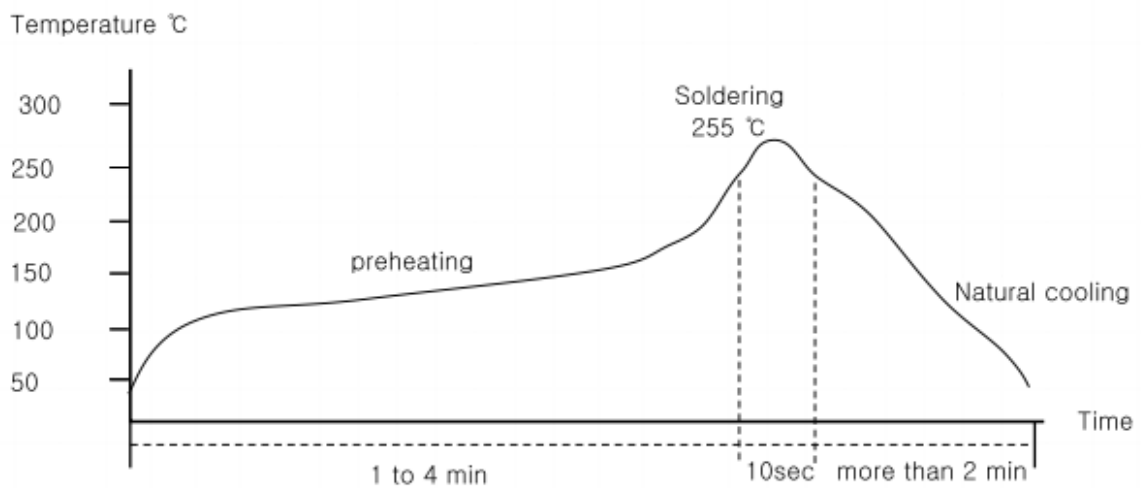
Specifications subject to change without notice. Please check our website for latest information.

Tel: 0086-769-85016657 Fax: 0086-769-85016658 E-Mail: sales@ZXcompo.com www.zxcompo.com

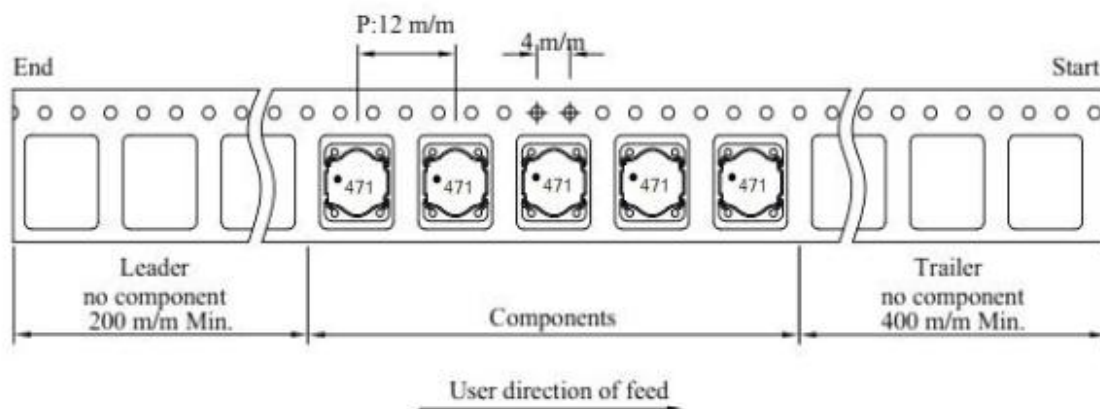
● Impedance VS Frequency



● Reliability Test

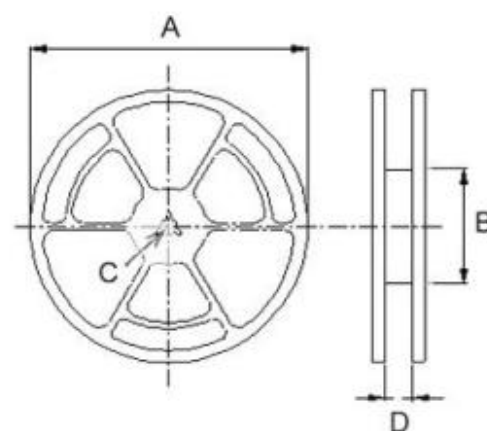
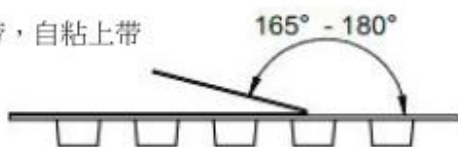


● Packaging Specifications



Tape width	Distance	Pull-of force
24 mm	12 mm	10~130g

透明下带，自粘上带



Reel Dimensions (Unit: mm)				Quantity
A	B	C	D	Pcs/Reel
330	100	13	24.5	800