

SMRN Series Coupled Inductors



FEATURES

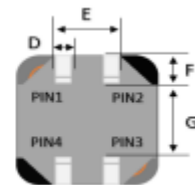
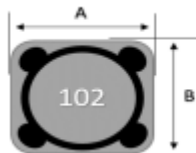
- ROHS, Halogen free and REACH Compliance
- 2 coils in 1 package for Sepic topology
- Ferrite drum ring structure

APPLICATIONS

- AP Routers, STBs and LCD TVs.
- Monitors, Game consoles and LED lightings
- Notebook computer, DC - DC converters, etc

SHAPE AND DIMENSIONS

Dimension



Part Number	Dimensions (mm)						
	A	B	C	D	E	F	G
SMRN74	7.3±0.3	7.3±0.3	4.8MAX	0.7 Type	2.7 Type	1.5 Type	4.5 Type
SMRN105	10.0±0.3	10.0±0.3	5.0MAX	1.0 Type	3.0 Type	2.3 Type	5.2 Type
SMRN125	12.0±0.3	12.0±0.3	6.5MAX	1.7 Type	5.0Type	2.8 Type	7.3 Type
SMRN127	12.0±0.3	12.0±0.3	8.3MAX	1.7 Type	5.0 Type	2.8 Type	7.3 Type



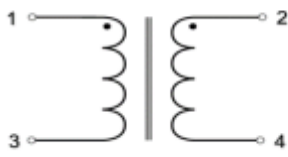
Specifications subject to change without notice. Please check our website for latest information.

Tel: 0086-769-85016657 Fax: 0086-769-85016658 E-Mail: Sales@zxcompo.com www.zxcompo.com

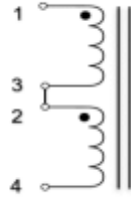
ELECTRICAL DIAGRAM

电路图示

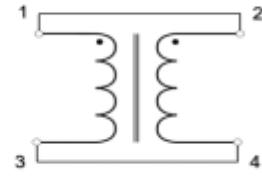
Schematics



双电感/Dual Inductor

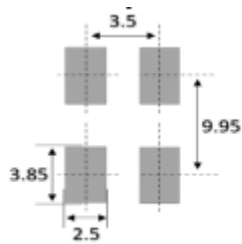


串联/Series

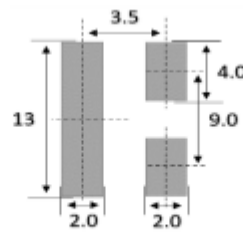


并联/Parallel

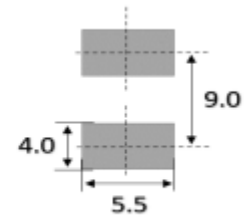
RECOMMENDED PC BOARD PATTERN



双电感/Dual Inductor



串联/Series



并联/Parallel

PRODUCT IDENTIFICATION

SMRN 127 - 4R7 M

①

②

③

④

- ① Series name
- ② Dimensions D×T
- ③ Inductance: R47-0.47uH 4R7-4.7uH 100-10uH
- ④ Tolerance: K: ±10% M: ±20% N: ±30%

Remark: Design as Customer's request specification.

SPECIFICATIONS

● SMRN74 TYPE

Part Number	Inductance (uH)	Tolerance	Test Frequency (KHz/V)	DCR Max(Ω)	ISMS(mA) $\Delta T \approx 40^\circ\text{C}$	ISTA (mA) LO drop \approx 30%
SMRN74-3R3□	3.3	M	1/0.25	0.033	3200	7000
SMRN74-4R7□	4.7	M		0.037	3000	6000
SMRN74-100□	10	K、M		0.10	2000	3700
SMRN74-120□	12			0.12	1850	3300
SMRN74-150□	15			0.13	1700	3000
SMRN74-180□	18			0.17	1600	2800
SMRN74-220□	22			0.22	1400	2600
SMRN74-270□	27			0.23	1350	2400
SMRN74-330□	33			0.27	1300	2200
SMRN74-390□	39			0.38	1100	2000
SMRN74-470□	47			0.42	1050	1800
SMRN74-560□	56			0.46	1000	1700
SMRH74-680□	68			0.60	980	1600
SMRN74-820□	82			0.68	850	1500
SMRN74-101□	100			0.77	800	1400

Note: When ordering, please specify tolerance code. Tolerance: K: $\pm 10\%$ 、M: $\pm 20\%$ 、N: $\pm 30\%$;

1. Operating temperature range $-40 - 125^\circ\text{C}$
2. Isat for idncutance drop 30% from its value without current

● SMRN105 TYPE

Part Number	Inductance (uH)	Tolerance	Test Frequency (KHz/V)	DCR Max(Ω)	ISMS(mA) $\Delta T \approx 40^\circ\text{C}$	ISTA (mA) LO drop \approx 30%
SMRN105-100□	10	K、M	1/0.25	0.02	3200	9000
SMRN105-220□	22			0.10	1800	3000
SMRN105-470□	47			0.22	1500	2000
SMRH105-680□	68			0.31	1300	1700
SMRN105-101□	100			0.40	1200	1300
SMRN74-221□	220			0.85	800	1000

Note: When ordering, please specify tolerance code. Tolerance: K: $\pm 10\%$ 、M: $\pm 20\%$ 、N: $\pm 30\%$;

1. Operating temperature range $-40 - 125^\circ\text{C}$
2. Isat for idncutance drop 30% from its value without current



Specifications subject to change without notice. Please check our website for latest information.

Tel: 0086-769-85016657 Fax: 0086-769-85016658 E-Mail: Sales@zxcompo.com www.zxcompo.com

● SMRN125 TYPE

Part Number	Inductance (uH)	Tolerance	Test Frequency (KHz/V)	DCR Max(Ω)	ISMS(mA) ΔT≈40°C	ISTA (mA) L0 drop≈30%
SMRN125-3R3□	3.3	M	1/0.25	0.022	6000	10000
SMRN125-4R7□	4.7	M		0.028	5000	9000
SMRN125-6R8□	6.8	M		0.032	4000	8000
SMRN125-100□	10	K、M		0.044	3500	6500
SMRN125-220□	22			0.080	2500	4200
SMRN125-330□	33			0.13	2100	3300
SMRN125-470□	47			0.15	1900	3000
SMRN125-101□	100			0.32	1300	2000

Note: When ordering, please specify tolerance code. Tolerance: K: ±10%、M: ±20%、N: ±30%;

1. Operating temperature range -40 -125 °C
2. Isat for idncutance drop 30% from its value without current

● SMRN127 TYPE

Part Number	Inductance (uH)	Tolerance	Test Frequency (KHz/V)	DCR Max(Ω)	ISMS(mA) ΔT≈40°C	ISTA (mA) L0 drop≈30%
SMRN127-3R3□	3.3	M	1/0.25	0.021	7000	13000
SMRN127-4R7□	4.7	M		0.024	5000	12000
SMRN127-6R8□	6.8	M		0.030	4500	10000
SMRN127-100□	10	K、M		0.036	4000	9000
SMRN127-150□	15			0.055	3500	7500
SMRN127-220□	22			0.070	2800	6500
SMRN127-330□	33			0.105	2300	4500
SMRN127-470□	47			0.125	2100	3800
SMRH127-680□	68			0.190	1750	3200
SMRN127-101□	100			0.255	1400	2500
SMRN127-151□	150			0.40	1000	1800
SMRN127-221□	220			0.58	1000	1500
SMRN127-471□	470			1.00	800	1200

Note: When ordering, please specify tolerance code. Tolerance: K: ±10%、M: ±20%、N: ±30%;

1. Operating temperature range -40 -125 °C
2. Isat for idncutance drop 30% from its value without current



Specifications subject to change without notice. Please check our website for latest information.

Tel: 0086-769-85016657 Fax: 0086-769-85016658 E-Mail: Sales@zxcompo.com www.zxcompo.com

● Packaging Specifications

Tape Dimensions

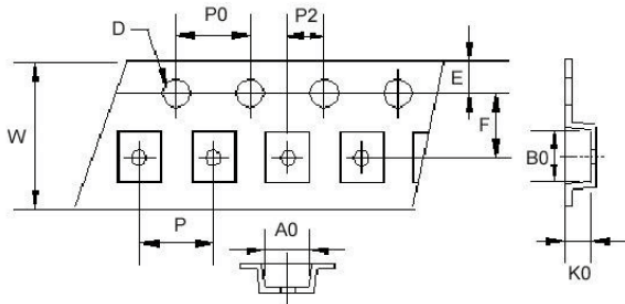


Figure 1

Tape Dimensions

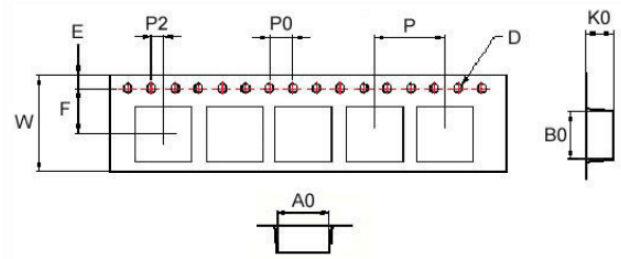


Figure 2

Reel Dimensions

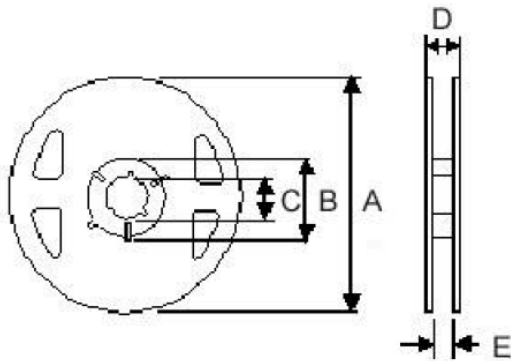


Figure 3

Reel Dimensions

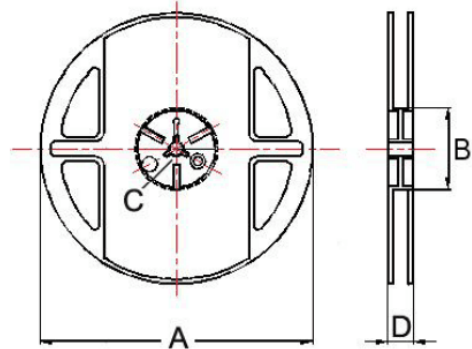


Figure 4

Part Number	Reel Dimensions (mm)				Quantity(PCS)
	A	B	C	D	
SMRN74	330	100	16	17	1000pcs/reel
SMRN105	330	100	24	25	1000pcs/reel
SMRN125	330	100	24	25	500pcs/reel
SMRN127	330	100	24	25	500pcs/reel