

SUQ Series Flat common mode Inductors



FEATURES

- ROHS, Halogen free and REACH Compliance
- Stable performance, high frequency efficiency
- High power, low DC resistance, low temperature rise
- Easy to plug-in, high difference energy

APPLICATIONS

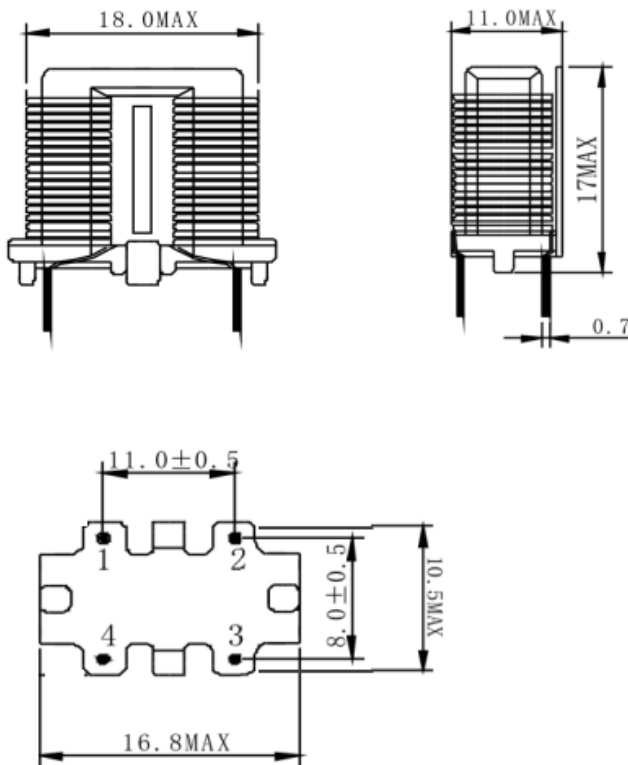
- AP Routers, STBs and LCD TVs.
- Monitors, Game consoles and LED lightings
- Notebook computer, DC - DC converters, etc

PRODUCT IDENTIFICATION

SUQ **12** **H-** **10mH**
 ① ② ③ ④

- ① Series name
- ② Dimensions D×T
- ③ Shape: H: Horizontal V: Vertical
- ④ Inductance:10mH

SPECIFICATIONS



A: Withstanding Voltage: AC 2.0KV 60Sec(Winding to Winding)

B: Measuring Condition: 1KHz, 250mV, 25°C.

C: Irat is defined as the maximum rated current that is applied to the coil with the resulted temperature rise not exceeding 40°C.

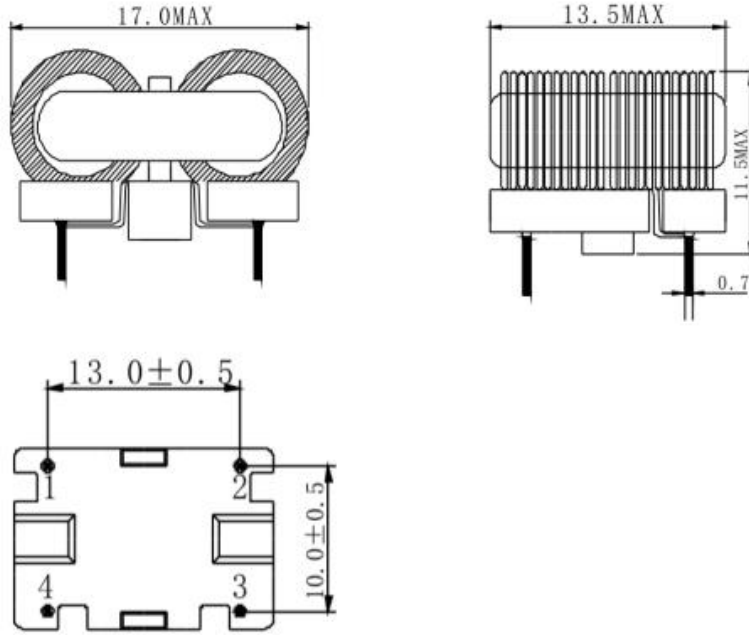
Part Number	Inductance (mH)	Wire Diameter	DCR(mΩ)	Rated Current	Power Range
SUQ12V-25mH	25mH	0.1*1.0	220 Max	0.5A	40W
SUQ12V-22mH	22mH	0.1*1.0	220 Max	0.6A	48W
SUQ12V-15mH	15mH	0.1*1.0	220 Max	0.7A	56W
SUQ12V-10mH	10mH	0.13*1.0	220 Max	0.75A	60W

Note: Special product can be made according to the customer's requirements.



Specifications subject to change without notice. Please check our website for latest information.

Tel: 0086-769-85016657 Fax: 0086-769-85016658 E-Mail: sales@ZXcompo.com www.zxcompo.com



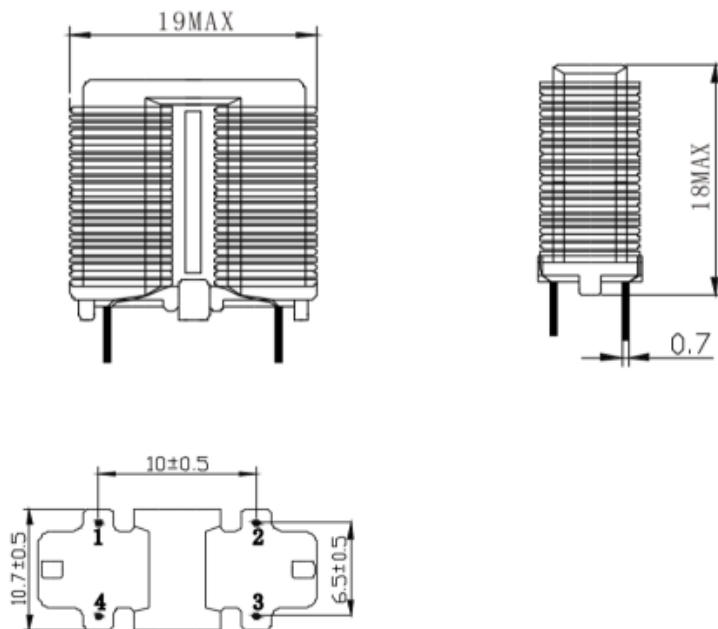
A: Withstanding Voltage: AC 2.0KV 60Sec(Winding to Winding)

B: Measuring Condition: 1KHz, 250mV, 25°C.

C: Irat is defined as the maximum rated current that is applied to the coil with the resulted temperature rise not exceeding 40°C.

Part Number	Inductance (mH)	Wire Diameter	DCR(mΩ)	Rated Current	Power Range
SUQ12H-15mH	15mH	0.1*1.0	220 Max	0.5A	48W
SUQ12H-10mH	10mH	0.13*1.0	220 Max	0.6A	56W
SUQ12H-5mH	5mH	0.2*1.0	220 Max	0.7A	60W

Note: Special product can be made according to the customer's requirements.



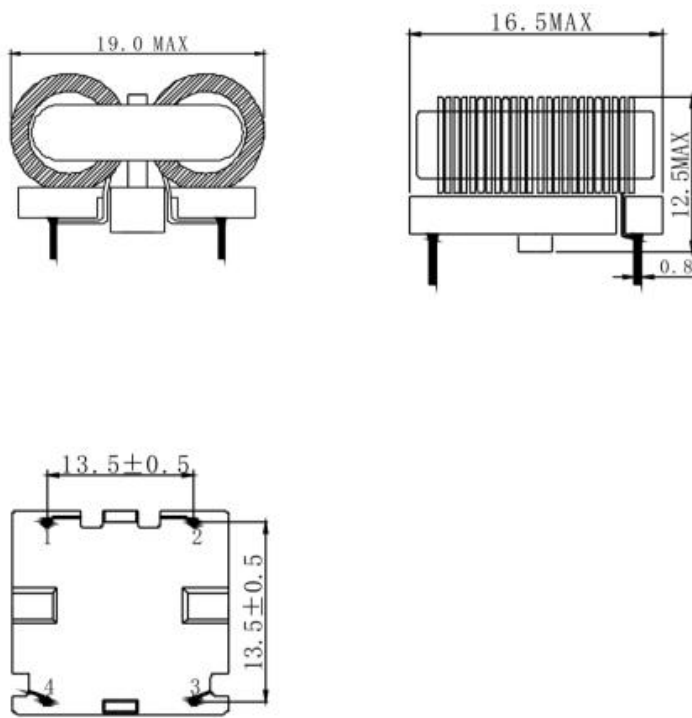
A: Withstanding Voltage: AC 2.0KV 60Sec(Winding to Winding)

B: Measuring Condition: 1KHz, 250mV, 25°C.

C: Irat is defined as the maximum rated current that is applied to the coil with the resulted temperature rise not exceeding 40°C.

Part Number	Inductance (mH)	Wire Diameter	DCR(mΩ)	Rated Current	Power Range
SUQ15V-28mH	28mH	0.13*1.0	220 Max	0.6A	50W
SUQ15V-20mH	20mH	0.15*1.2	220 Max	0.7A	56W
SUQ15V-18mH	18mH	0.15*1.5	220 Max	0.9A	72W
SUQ15V-15mH	15mH	0.15*1.5	220 Max	1.5A	80W
SUQ15V-5mH	5mH	0.3*1.2	220 Max	2.0A	150W

Note: Special product can be made according to the customer's requirements.



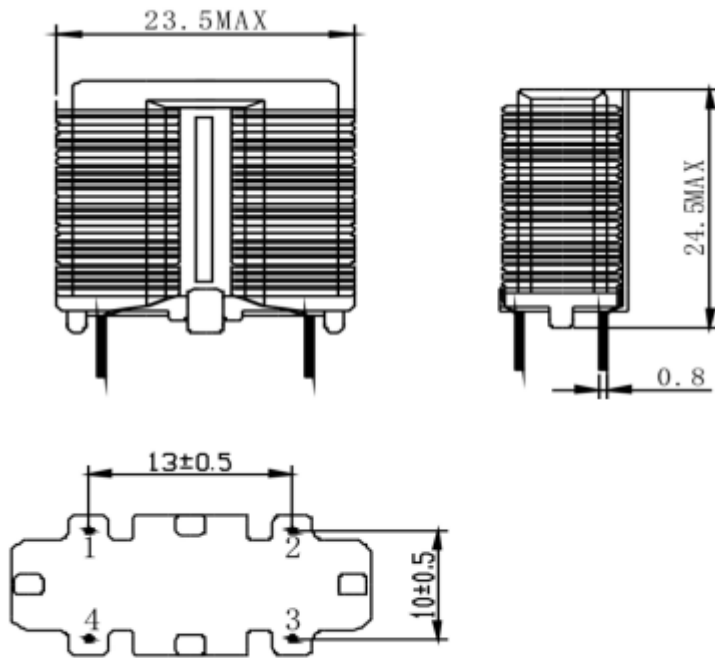
A: Withstanding Voltage: AC 2.0KV 60Sec(Winding to Winding)

B: Measuring Condition: 1KHz, 250mV, 25°C.

C: Irat is defined as the maximum rated current that is applied to the coil with the resulted temperature rise not exceeding 40°C.

Part Number	Inductance (mH)	Wire Diameter	DCR(mΩ)	Rated Current	Power Range
SUQ15H-28mH	28mH	0.13*1.0	260 Max	0.6A	50W
SUQ15H-20mH	20mH	0.15*1.2	220 Max	0.75A	56W
SUQ15H-18mH	18mH	0.15*1.5	220 Max	0.9A	72W
SUQ15H-15mH	15mH	0.15*1.5	220 Max	1.5A	80W
SUQ15H-5mH	5mH	0.3*1.2	220 Max	2.0A	150W

Note: Special product can be made according to the customer's requirements.



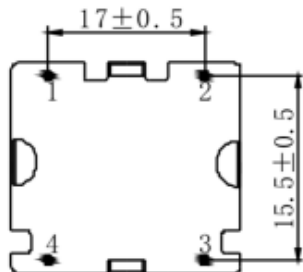
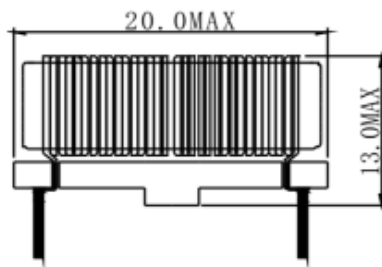
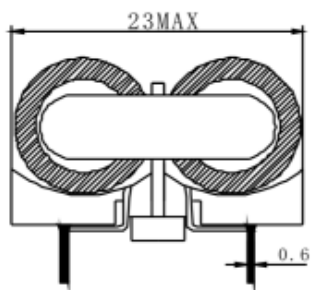
A: Withstanding Voltage: AC 2.0KV 60Sec(Winding to Winding)

B: Measuring Condition: 1KHz, 250mV, 25°C.

C: Irat is defined as the maximum rated current that is applied to the coil with the resulted temperature rise not exceeding 40°C.

Part Number	Inductance (mH)	Wire Diameter	DCR(mΩ)	Rated Current	Power Range
SUQ19H-20mH	20mH	0.15*1.0	240 Max	1.0A	80W
SUQ19H-10mH	10mH	0.2*1.0	145 Max	2.25A	180W
SUQ19H-8mH	8mH	0.25*1.0	105 Max	3.5A	220W
SUQ19H-7mH	7mH	0.3*1.5	50 Max	4.5A	260W

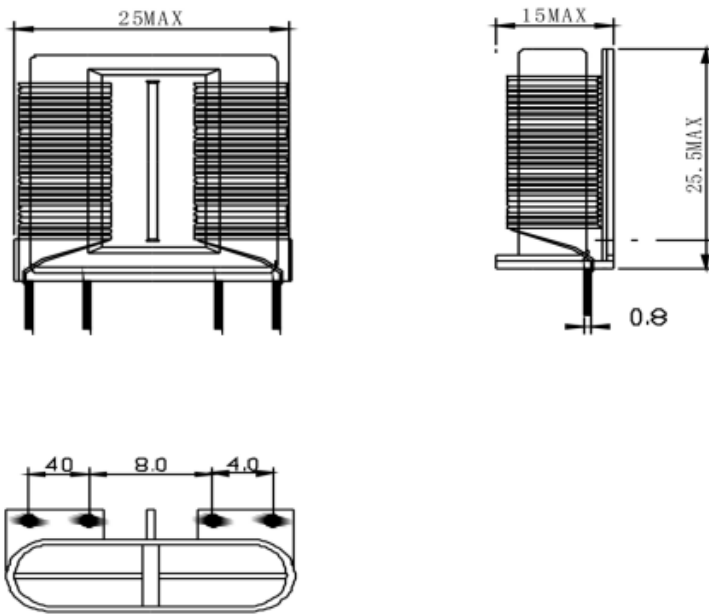
Note: Special product can be made according to the customer's requirements.



- A: Withstanding Voltage: AC 2.0KV 60Sec(Winding to Winding)
- B: Measuring Condition: 1KHz, 250mV, 25°C.
- C: Irat is defined as the maximum rated current that is applied to the coil with the resulted temperature rise not exceeding 40°C.

Part Number	Inductance (mH)	Wire Diameter	DCR(mΩ)	Rated Current	Power Range
SUQ19V-20mH	20mH	0.15*1.0	240 Max	1.0A	80W
SUQ19V-10mH	10mH	0.2*1.0	145 Max	2.25A	180W
SUQ19V-8mH	8mH	0.25*1.2	105 Max	3.5A	220W
SUQ19V-5mH	5mH	0.3*1.2	50 Max	4.8A	280W

Note: Special product can be made according to the customer's requiriements.



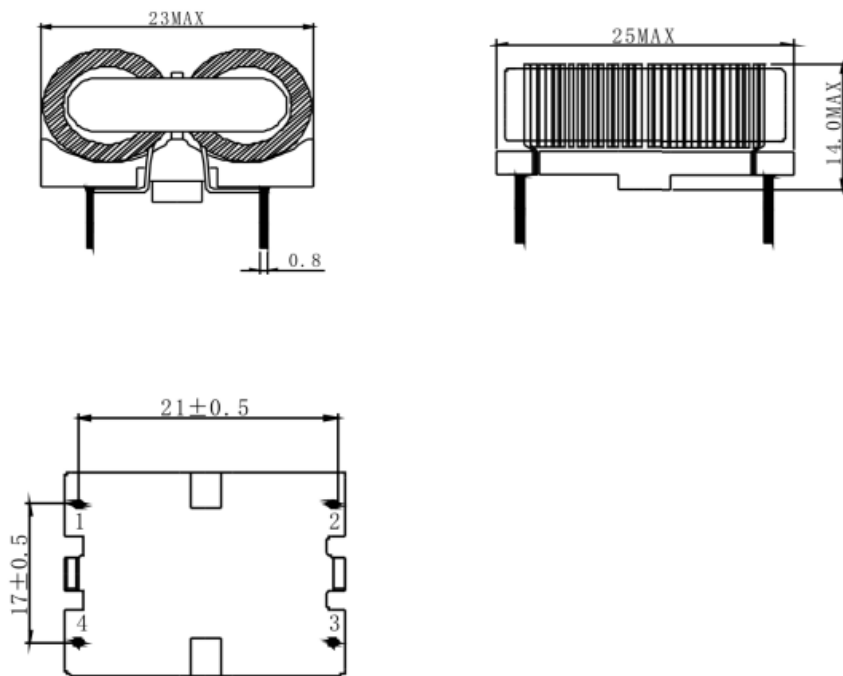
A: Withstanding Voltage: AC 2.0KV 60Sec(Winding to Winding)

B: Measuring Condition: 1KHz, 250mV, 25°C.

C: Irat is defined as the maximum rated current that is applied to the coil with the resulted temperature rise not exceeding 40°C.

Part Number	Inductance (mH)	Wire Diameter	DCR(mΩ)	Rated Current	Power Range
SUQ24V-10mH	10mH	0.3*1.5	75 Max	6.5A	250W
SUQ24V-5mH	5mH	0.4*1.5	60 Max	7.5A	360W
SUQ24V-2mH	2mH	0.6*2.0	50 Max	13A	600W

Note: Special product can be made according to the customer's requirements.



A: Withstanding Voltage: AC 2.0KV 60Sec(Winding to Winding)

B: Measuring Condition: 1KHz, 250mV, 25°C.

C: Irat is defined as the maximum rated current that is applied to the coil with the resulted temperature rise not exceeding 40°C.

Part Number	Inductance (mH)	Wire Diameter	DCR(mΩ)	Rated Current	Power Range
SUQ24H-10mH	10mH	0.3*1.5	75 Max	4.5A	250W
SUQ24H-5mH	5mH	0.4*1.5	60 Max	6.5A	360W

Note: Special product can be made according to the customer's requirements.